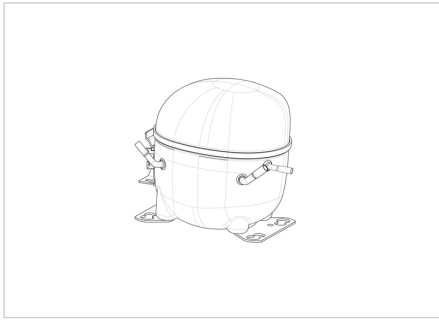


MODEL

NEU2178GK

embraco




APPROVALS




 **ENGINEERING CODE**
9590A51


 **APPROVED REFRIGERANT**
R-404A

 **POWER SUPPLY**
220-240 V 50 Hz

 **STANDARD CONDITIONS**
ASHRAE

 **APPLICATION**
LBP

 **COOLING CAPACITY**
905 W

 **EFFICIENCY**
1.4 W/W

 **MOTOR TYPE**
CSCR

 **STARTING TORQUE**
HST

DATA

General Data

Type	Hermetic reciprocating
Technology Type	On-Off
Displacement	16.8 cm ³
Compressor Cooling	Fan
Fan Air Flow	520 m ³ /h
Expansion Device	Capillary Tube or Expansion Valve
Horse Power	1 hp
Max Condensing Pressure Operating	24.71 bar
Max Condensing Pressure Peak	27.71 bar
Power Supply	220-240 V 50 Hz
Evaporating Temperature Range	-40 °C to -10 °C

Electrical Data

Motor type	CSCR
Starting Torque	HST
Start Winding Resistance	11.03 Ω at 25° C
Run Winding Resistance	5.15 Ω at 25° C
Locked Rotor Amperage (LRA)	21 A

Mechanical Data

Maximum Recommended Refrigerant Charge	350 g
Oil Charge	350 ml
Oil Type Configuration	Polyolester
Oil Type Viscosity	ISO22
Pressurization	Dry air charge
Weight	12.3 Kg
Free Internal Volume	2.1 L

Electrical Components

	Description
CSR / CSIR Box	yes
Start Capacitor	88-108 μ F / 330V
Starting Device	Potential relay RVA6M3C-114
Motor Protection	External 3/4" MSP18LJ-3261

External Characteristics

Base Plate	European	
Tray Holder	No	
Height	206 mm	
Connector	Internal Diameter	Shape
Suction	8.1 mm	Slanted 42°
Discharge	6.1 mm	Straight
Process	6.1 mm	Slanted 42°

PERFORMANCE

Rated Points

Condensing Temperature	Evaporating Temperature	Cooling Capacity	Power Consumption	Current	Gas Flow Rate	Efficiency
54.40°C	-23.30°C	905 W	646 W	2.98 A	20.98 kg/h	1.4 W/W

Test Condition: ASHRAE, Fan, Return Gas 32.2°C, Evaporation -23.30°C, Condensing 54.40°C, Ambient 32.2°C, Liquid 32.2°C. Data in accordance to ASHRAE guideline polynomial curve.

Performance Curve Data

Condensing Temperature 35°C

Evaporating Temperature °C	Cooling Capacity W	Power W	Current A	Gas Flow Rate kg/h	Efficiency W/W
-40	432	382	1.78	9.93	1.13
-35	564	434	2.03	13.01	1.3
-30	731	491	2.29	16.90	1.49
-25	932	553	2.58	21.62	1.68
-20	1167	620	2.89	27.22	1.88
-15	1437	693	3.23	33.70	2.07
-10	1741	770	3.59	41.10	2.26

Test Condition: ASHRAE, Fan, LBP. Data in accordance to ASHRAE guideline polynomial curve.

Condensing Temperature 45°C

Evaporating Temperature °C	Cooling Capacity W	Power W	Current A	Gas Flow Rate kg/h	Efficiency W/W
-35	526	449	2.08	12.12	1.17
-30	690	514	2.38	15.92	1.34
-25	886	587	2.72	20.52	1.51
-20	1115	666	3.08	25.95	1.67
-15	1377	753	3.48	32.24	1.83
-10	1672	846	3.91	39.40	1.98

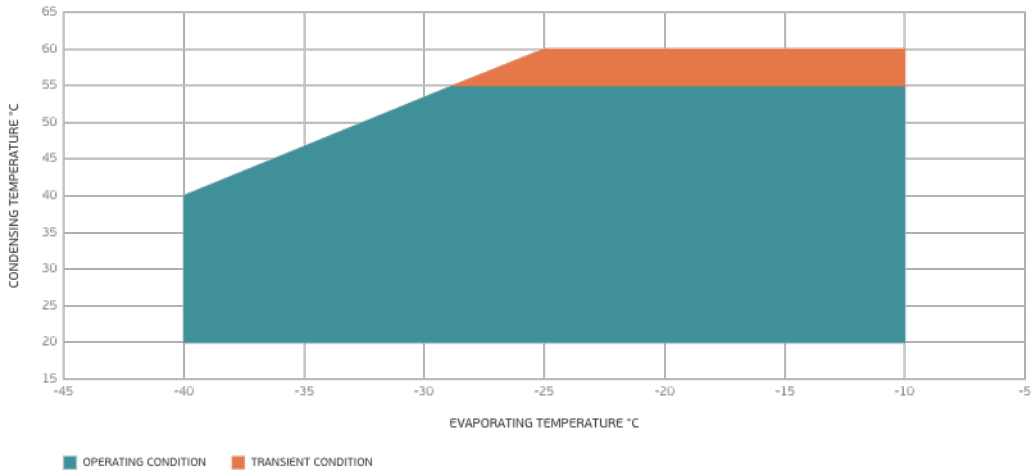
Test Condition: ASHRAE, Fan, LBP. Data in accordance to ASHRAE guideline polynomial curve.

Condensing Temperature 55°C

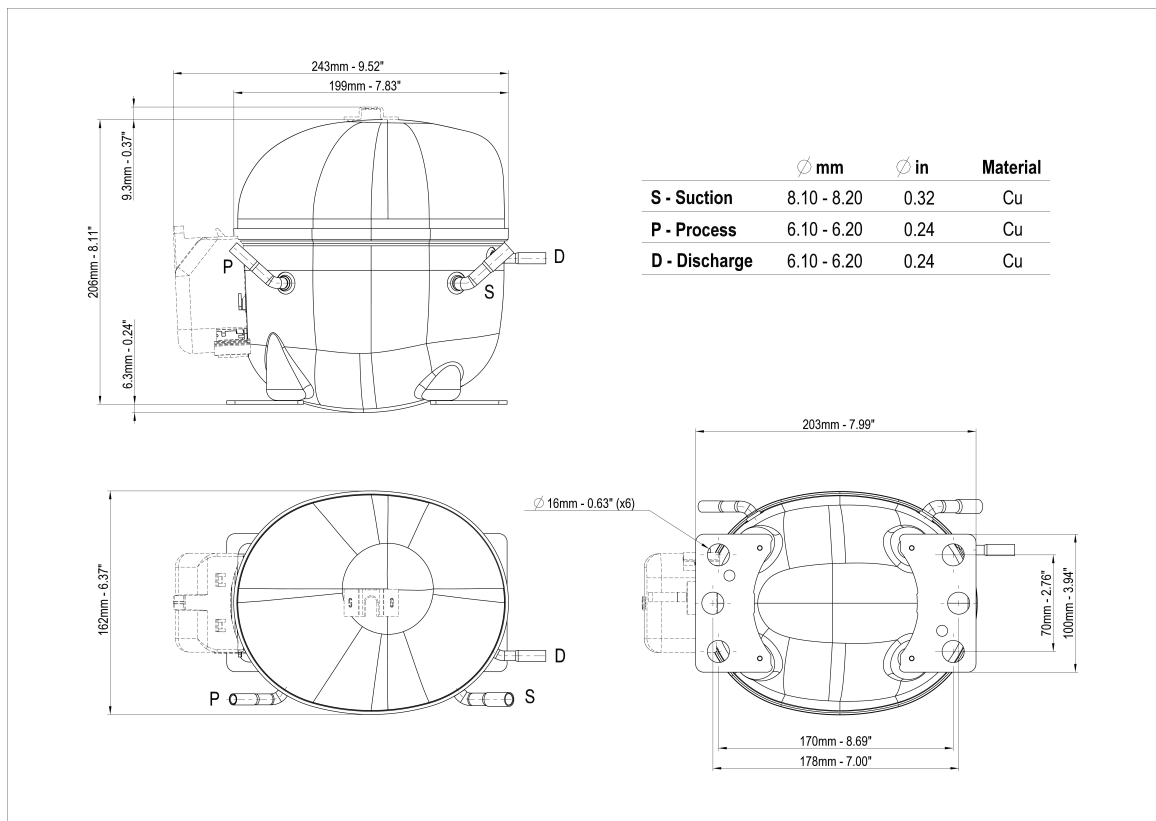
Evaporating Temperature °C	Cooling Capacity W	Power W	Current A	Gas Flow Rate kg/h	Efficiency W/W
-30	643	533	2.46	14.83	1.2
-25	831	617	2.84	19.21	1.35
-20	1050	710	3.27	24.39	1.48
-15	1300	812	3.74	30.38	1.6
-10	1583	923	4.25	37.22	1.71

Test Condition: ASHRAE, Fan, LBP. Data in accordance to ASHRAE guideline polynomial curve.

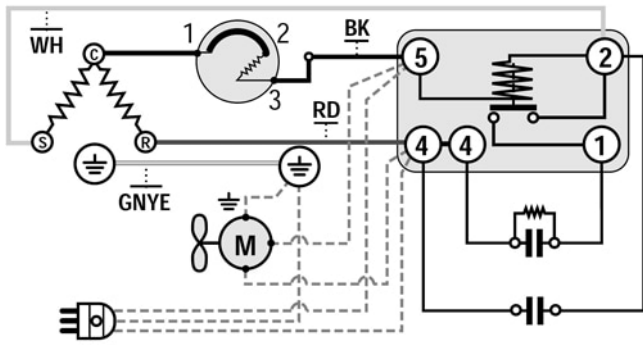
Operating Envelope



External Dimensions



Wiring Diagram



Assembly Instructions

