

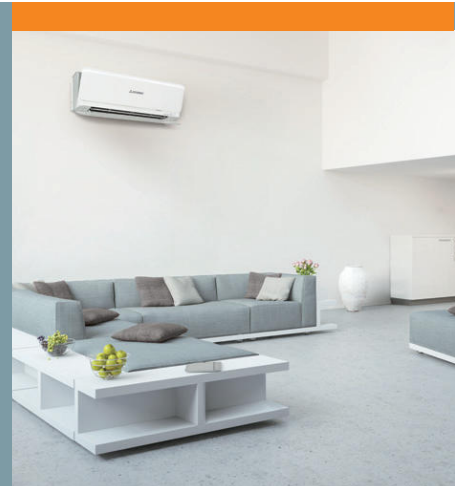
SRK Indoor Unit Wall Mounted



SRK 50-60
Only used with
Multi System.



SRK 71 · 100
Common to the
both case of
Single and Multi



Energy Saving



Home Leave



Hi Power



Silent Operation



Flap Control



Weekly Timer



Remote control (option)

Wired



RC-EX3A



RC-E5



RCH-E3

*Not all functions available with all remote control options.

Elegant Timeless Design

The SRK series air-conditioners have been stylishly designed with rounded contours that fit beautifully into any of Europe's diverse interior settings. The design was created by the Italian industrial design studio Tensa srl, based in Milan, to respond to a broad spectrum of local user needs.

Jet Technology

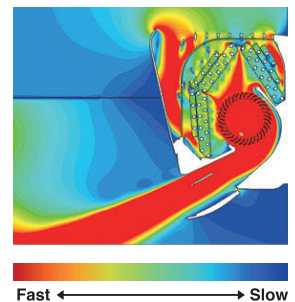
We used the same aerodynamic analysis technology as used in developing jet engines.



enable a large volume of air to be blown with minimum power consumption, yet the air flow is uniform, quiet and reaches points a long distance from the blower.

CFD (computational fluid dynamics), used in blade shape design of jet engines, has been applied to the design of air channels in air conditioners to develop the ideal air channel system (air circulation).

The airflow of the jets created in this system



Fast ← → Slow

Colours in the figure show the air speed.

Long Reach Air Flow

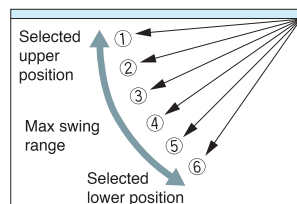
Powerful airflow is realized by Jet technology. Good for large living rooms and shops, which Increase comfort.



Flap Control System

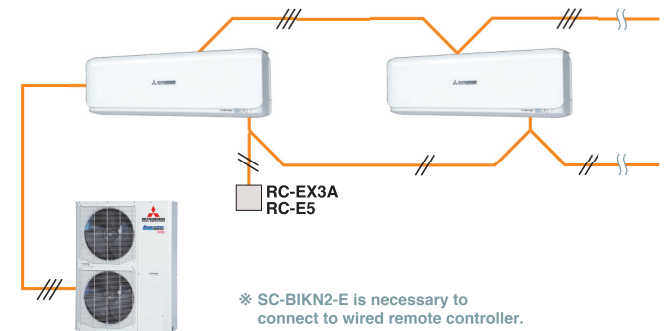
The flap can swing within the range of upper and lower flap position selected.

*The wireless remote control is not applicable to the flap control system.



Indoor Unit Connection

Max three indoor units are connectable to one outdoor unit.



* SC-BIKN2-E is necessary to connect to wired remote controller.

SC-BIKN2-E connection (Option)

Interface kit can be built into indoor unit.(SRK50•60)

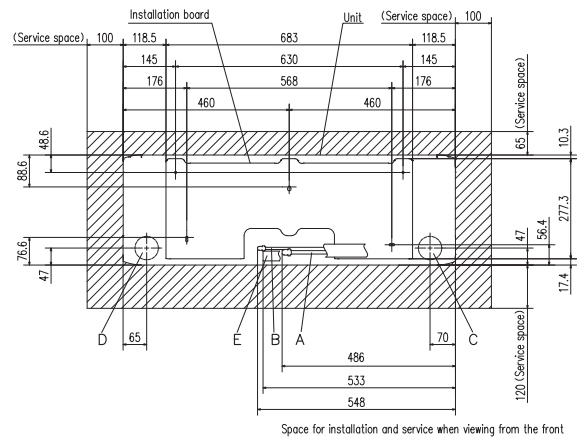
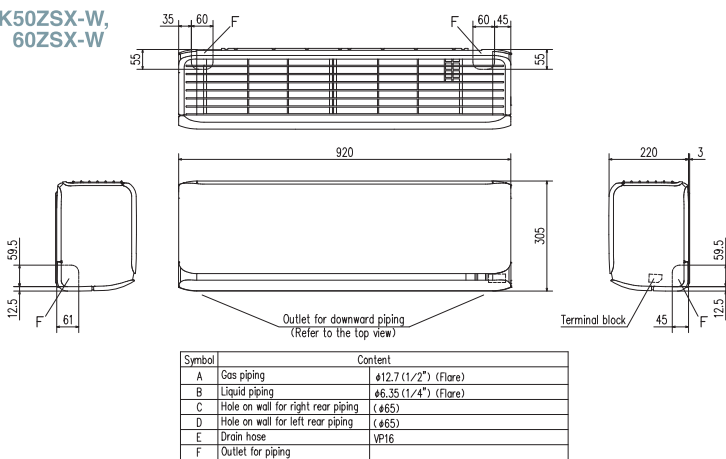
OUTDOOR UNIT

		Hyper Inverter		Micro Inverter	
FDC		71VNX-W	—	100~140VN(S)A-W	—
		—	100~140VN(S)X	100VN(S)A	200VSA
model					
Chargeless		30m		30m	
Height x Width x Depth (mm)		750 x 880(+88) x 340	1,300 x 970 x 370	845 x 970 x 370	1,300 x 970 x 370

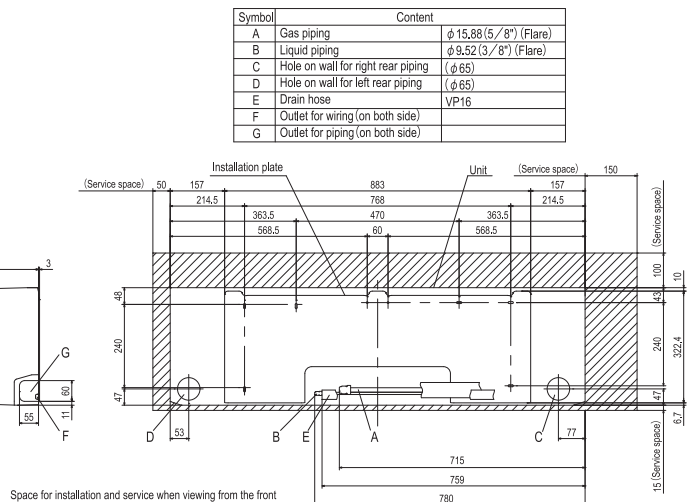
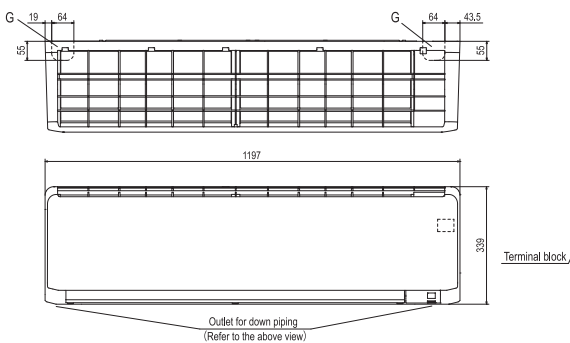
		Standard Inverter		
FDC		71VNP-W	100VNP-W	—
		—	—	100VNP
model				
Chargeless		15m		
Height x Width x Depth (mm)		640 x 800(+71) x 290	750 x 880(+88) x 340	845 x 970 x 370

DIMENSIONS (Unit:mm) - SRK -

SRK50ZSX-W, 60ZSX-W



SRK71ZR-W, 100ZR-W



SPECIFICATIONS - SRK -

R32			Hyper Inverter		
Set model name			SRK71VNXWZR		
Indoor unit			SRK71ZR-W		
Outdoor unit			FDC71VNX-W		
Power source			1 Phase 220-240V, 50Hz / 220V, 60Hz		
Nominal cooling capacity (Min~Max)			kW 7.1 (3.2 ~ 8.0)		
Nominal heating capacity (Min~Max)			kW 8.0 (3.6 ~ 9.0)		
Power consumption			kW Cooling/Heating 1.93 / 1.78		
EER/COP			Cooling/Heating 3.68 / 4.49		
Inrush current			A 5		
Max. current			19.1		
Sound power level*1	Indoor	Cooling/Heating	57 / 60		
	Outdoor	Cooling/Heating	66 / 66		
Sound pressure level*1	Indoor	Cooling (Hi/Me/Lo/Ulo)	dB(A) 44 / 41 / 37 / 25		
		Heating (Hi/Me/Lo/Ulo)	46 / 39 / 35 / 28		
	Outdoor	Cooling/Heating	51 / 51		
		Cooling (Hi/Me/Lo/Ulo)	20.5 / 18.6 / 16.2 / 10.4		
Air flow	Indoor	Heating (Hi/Me/Lo/Ulo)	m³/min 25.0 / 19.8 / 17.3/ 13.3		
	Outdoor	Cooling/Heating	60 / 50		
Exterior dimensions	Indoor	HeightxWidthxDepth	mm 339 / 1,197 / 262		
	Outdoor		750 x 880(+88) x 340		
Net weight	Indoor		kg 15.5		
	Outdoor		60		
Ref.piping size	Liquid/Gas	ømm	9.52(3/8") / 15.88(5/8")		
Refrigerant line (one way) length			m Max.50		
Vertical height differences	Outdoor is higher/lower	m	Max.30 / Max.15		
Outdoor operating temperature range	Cooling	°C	-15~50*2		
	Heating		-20~20		
Air filter, Q'ty			Polypropylene net x 2(washable)		
Remote control (option)			wired:RC-EX3A, RC-E5, RCH-E3 & Interface kit:SC-BIKN2-E		

The values are for simultaneous Multi operation.

R410A			Hyper Inverter					
Set model name			SRK100VNXPSZX	SRK125VNXPSZX	SRK140VNXTZSX	SRK100VXSXPZX	SRK125VXSXPZX	SRK140VXSXTZSX
			Twin		Triple	Twin		Triple
Indoor unit			SRK50ZSX-W x 2	SRK60ZSX-W x 2	SRK50ZSX-W x 3	SRK50ZSX-W x 2	SRK60ZSX-W x 2	SRK50ZSX-W x 3
Outdoor unit			FDC100VNX	FDC125VNX	FDC140VNX	FDC100VSX	FDC125VSX	FDC140VSX
Power source			1 Phase 220-240V, 50Hz / 220V, 60Hz			3 Phase 380-415V, 50Hz / 380V, 60Hz		
Nominal cooling capacity (Min~Max)			kW 10.0 (4.0 ~ 11.2)		12.5 (5.0 ~ 14.0)	14.0 (5.0 ~ 16.0)		10.0 (4.0 ~ 11.2)
Nominal heating capacity (Min~Max)			kW 11.2 (4.0 ~ 12.5)		14.0 (4.0 ~ 17.0)	16.0 (4.0 ~ 18.0)		11.2 (4.0 ~ 16.0)
Power consumption			kW 2.66 / 2.60		3.60 / 3.48	3.98 / 3.68		2.66 / 2.60
EER/COP			Cooling/Heating 3.76 / 4.31		3.47 / 4.02	3.52 / 4.35		3.76 / 4.31
Inrush current			A 5		5	5		5
Max. current			24		26	26		15
Sound power level*1	Indoor*3	Cooling/Heating	59 / 62		62 / 63	59 / 62		59 / 62
	Outdoor	Cooling/Heating	70 / 70		70 / 70	72 / 72		70 / 70
Sound pressure level*1	Indoor*3	Cooling (Hi/Me/Lo/Ulo)	dB(A) 44 / 39 / 31 / 22		46 / 41 / 33 / 22	44 / 39 / 31 / 22		44 / 39 / 31 / 22
		Heating (Hi/Me/Lo/Ulo)	46 / 41 / 33 / 23		46 / 42 / 34 / 23	46 / 41 / 33 / 23		46 / 42 / 34 / 23
	Outdoor	Cooling/Heating	48 / 50		48 / 50	49 / 52		48 / 50
		Cooling (Hi/Me/Lo/Ulo)	m³/min 14.3 / 12.4 / 7.8 / 5.4		16.3 / 13.4 / 8.9 / 5.4	14.3 / 12.4 / 7.8 / 5.4		14.3 / 12.4 / 7.8 / 5.4
Air flow	Indoor*3	Heating (Hi/Me/Lo/Ulo)	17.3 / 14.3 / 9.8 / 6.2		17.8 / 13.7 / 10.9 / 6.2	17.3 / 14.3 / 9.8 / 6.2		17.3 / 14.3 / 9.8 / 6.2
	Outdoor	Cooling/Heating	100 / 100		100 / 100	100 / 100		100 / 100
Exterior dimensions	Indoor	HeightxWidthxDepth	mm 305 x 920 x 220					
	Outdoor		1,300 x 970 x 370					
Net weight	Indoor		kg 13					
	Outdoor		105					
Ref.piping size	Liquid/Gas	ømm	9.52(3/8") / 15.88(5/8")					
Refrigerant line (one way) length			m Max.100					
Vertical height differences	Outdoor is higher/lower	m	Max.30 / Max.15					
Outdoor operating temperature range	Cooling	°C	-15~43*2					
	Heating		-20~20					
Air filter, Q'ty			Polypropylene net x 2(washable)					
Remote control (option)			wired:RC-EX3A, RC-E5, RCH-E3 & Interface kit:SC-BIKN2-E					

NOTES:

<p>The data are measured under the following conditions (R410A : ISO-T1, R32 : ISO-T1, H1). Cooling:Indoor temp. of 27°CDB, 19°CWB, and outdoor temp. of 35°CDB. Heating:Indoor temp. of 20°CDB, and outdoor temp. of 7°CDB, 6°CWB. *1 : Indicates the value in an anechoic chamber. During operation these values are somewhat higher due to ambient conditions. *2 : If a cooling operation is conducted when the outdoor air temperature is -5°C or lower, the outdoor unit should be installed at a place where it is not influenced by natural wind. If wind blows, the low pressure will drop and compressor frequency will increase, this will cause the capacity to drop and may cause the unit to break down. *3 : The values are for one indoor unit operation. (Multi system only)</p>

R32			Micro Inverter	
Set model name			SRK100VNAWZR	SRK100VSAWZR
Indoor unit			SRK100ZR-W	SRK100ZR-W
Outdoor unit			FDC100VNA-W	FDC100VSA-W
Power source			1 Phase 220-240V, 50Hz / 220V, 60Hz	3 Phase 380-415V, 50Hz / 380V, 60Hz
Nominal cooling capacity (Min~Max)			10.0 (4.0 ~ 11.2)	10.0 (4.0 ~ 11.2)
Nominal heating capacity (Min~Max)			11.2 (4.0 ~ 12.5)	11.2 (4.0 ~ 12.5)
Power consumption			3.19 / 3.04	3.19 / 3.04
EER/COP			3.13 / 3.68	3.13 / 3.68
Inrush current			5	5
Max. current			24	15
Sound power level*1	Indoor	Cooling/Heating	63 / 63	63 / 63
	Outdoor	Cooling/Heating	69 / 70	69 / 70
Sound pressure level*1	Indoor	Cooling (Hi/Me/Lo/Ulo)	48 / 45 / 40 / 27	48 / 45 / 40 / 27
		Heating (Hi/Me/Lo/Ulo)	48 / 43 / 38 / 30	48 / 43 / 38 / 30
	Outdoor	Cooling/Heating	54 / 55	54 / 55
		Cooling/Heating	54 / 55	54 / 55
Air flow	Indoor	Cooling (Hi/Me/Lo/Ulo)	24.5 / 21.3 / 17.6 / 10.4	24.5 / 21.3 / 17.6 / 10.4
	Outdoor	Cooling/Heating	27.5 / 23.2 / 19.1 / 13.6	27.5 / 23.2 / 19.1 / 13.6
Exterior dimensions	Indoor	HeightxWidthxDepth	339 / 1,197 / 262	
	Outdoor	HeightxWidthxDepth	845 / 970 / 370	
Net weight	Indoor		16.5	
	Outdoor		77	78
Ref.piping size	Liquid/Gas	ømm	9.52(3/8") / 15.88(5/8")	
Refrigerant line (one way) length			Max.50	
Vertical height differences			Max.50 / Max.15	
Outdoor operating temperature range	Cooling	°C	-15~50*2	
	Heating	°C	-20~20	
Air filter, Q'ty			Polypropylene net x2 (Washable)	
Remote control (option)			wired:RC-EX3A, RC-E5, RCH-E3 & Interface kit:SC-BIKN2-E	

The values are for simultaneous Multi operation.

R32			Micro Inverter			
Set model name			SRK100VNAWPZSX	SRK125VNAWPZSX	SRK140VNAWPZR	SRK140VNAWTZSX
			Twin		Triple	
Indoor unit			SRK50ZSX-W x 2	SRK60ZSX-W x 2	SRK71ZR-W x 2	SRK50ZSX-W x 3
Outdoor unit			FDC100VNA-W	FDC125VNA-W	FDC140VNA-W	FDC140VNA-W
Power source			1 Phase 220-240V, 50Hz / 220V, 60Hz			
Nominal cooling capacity (Min~Max)			10.0 (4.0 ~ 11.2)	12.5 (5.0 ~ 14.0)	13.6 (5.0 ~ 14.5)	13.6 (5.0 ~ 14.5)
Nominal heating capacity (Min~Max)			11.2 (4.0 ~ 12.5)	14.0 (4.0 ~ 16.0)	15.5 (4.0 ~ 16.5)	15.5 (4.0 ~ 16.5)
Power consumption			2.89 / 2.61	4.54 / 3.58	4.26 / 4.03	4.26 / 3.74
EER/COP			3.46 / 4.29	2.76 / 3.91	3.19 / 3.85	3.19 / 4.14
Inrush current			5	5	5	5
Max. current			24	24	24	24
Sound power level*1	Indoor*3	Cooling/Heating	59 / 62	62 / 63	57 / 60	59 / 62
	Outdoor	Cooling/Heating	69 / 70	71 / 71	72 / 73	72 / 73
Sound pressure level*1	Indoor*3	Cooling (Hi/Me/Lo/Ulo)	44 / 39 / 31 / 22	46 / 41 / 33 / 22	44 / 41 / 37 / 25	44 / 39 / 31 / 22
		Heating (Hi/Me/Lo/Ulo)	46 / 41 / 33 / 23	46 / 42 / 34 / 23	46 / 39 / 35 / 28	46 / 41 / 33 / 23
	Outdoor	Cooling/Heating	54 / 55	54 / 56	56 / 58	56 / 58
		Cooling/Heating	54 / 55	54 / 56	56 / 58	56 / 58
Air flow	Indoor*3	Cooling (Hi/Me/Lo/Ulo)	14.3 / 12.4 / 7.8 / 5.4	16.3 / 13.4 / 8.9 / 5.4	20.5 / 18.6 / 16.2 / 10.4	14.3 / 12.4 / 7.8 / 5.4
	Outdoor	Cooling/Heating	17.3 / 14.3 / 9.8 / 6.2	17.8 / 13.7 / 10.9 / 6.2	25.0 / 19.8 / 17.3 / 13.3	17.3 / 14.3 / 9.8 / 6.2
Exterior dimensions	Indoor	HeightxWidthxDepth	305 x 920 x 220		339 x 1197 x 262	305 x 920 x 220
	Outdoor	HeightxWidthxDepth	845 x 970 x 370			
Net weight	Indoor		13		15.5	13
	Outdoor		77			
Ref.piping size	Liquid/Gas	ømm	9.52(3/8") / 15.88(5/8")			
Refrigerant line (one way) length			Max.50			
Vertical height differences			Max.50 / Max.15			
Outdoor operating temperature range	Cooling	°C	-15~50*2			
	Heating	°C	-20~20			
Air filter, Q'ty			Polypropylene net x 2(washable)			
Remote control (option)			wired:RC-EX3A, RC-E5, RCH-E3 & Interface kit:SC-BIKN2-E			

SPECIFICATIONS - SRK -

The values are for simultaneous Multi operation.


R32		Micro Inverter				
Set model name		SRK100VSAWPZSX	SRK125VSAWPZSX	SRK140VSAWPZR	SRK140VSAWTZSX	
		Twin		Triple		
Indoor unit		SRK50ZSX-W x 2	SRK60ZSX-W x 2	SRK71ZR-W x 2	SRK50ZSX-W x 3	
Outdoor unit		FDC100VSA-W	FDC125VSA-W	FDC140VSA-W	FDC140VSA-W	
Power source		3 Phase 380-415V, 50Hz / 380V, 60Hz				
Nominal cooling capacity (Min~Max)	kW	10.0 (4.0 ~ 11.2)	12.5 (5.0 ~ 14.0)	13.6 (5.0 ~ 14.5)	13.6 (5.0 ~ 14.5)	
Nominal heating capacity (Min~Max)	kW	11.2 (4.0 ~ 12.5)	14.0 (4.0 ~ 16.0)	15.5 (4.0 ~ 16.5)	15.5 (4.0 ~ 16.5)	
Power consumption	Cooling/Heating	2.89 / 2.61	4.54 / 3.58	4.26 / 4.03	4.26 / 3.74	
EER/COP	Cooling/Heating	3.46 / 4.29	2.76 / 3.91	3.19 / 3.85	3.19 / 4.14	
Inrush current		5	5	5	5	
Max. current		15	15	15	15	
Sound power level*1	Indoor+3	Cooling/Heating	59 / 62	62 / 63	57 / 60	59 / 62
	Outdoor	Cooling/Heating	69 / 70	71 / 71	72 / 73	72 / 73
Sound pressure level*1	Indoor+3	Cooling (Hi/Me/Lo/Ulo)	44 / 39 / 31 / 22	46 / 41 / 33 / 22	44 / 41 / 37 / 25	44 / 39 / 31 / 22
	Outdoor	Heating (Hi/Me/Lo/Ulo)	46 / 41 / 33 / 23	46 / 42 / 34 / 23	46 / 39 / 35 / 28	46 / 41 / 33 / 23
Air flow	Indoor+3	Cooling (Hi/Me/Lo/Ulo)	54 / 55	54 / 56	56 / 58	56 / 58
	Outdoor	Heating (Hi/Me/Lo/Ulo)	14.3 / 12.4 / 7.8 / 5.4	16.3 / 13.4 / 8.9 / 5.4	20.5 / 18.6 / 16.2 / 10.4	14.3 / 12.4 / 7.8 / 5.4
Exterior dimensions	Indoor	HeightxWidthxDepth	305 x 920 x 220		339 x 1197 x 262	305 x 920 x 220
	Outdoor		845 x 970 x 370			
Net weight	Indoor		13	15.5	13	
	Outdoor		78			
Ref.piping size	Liquid/Gas	ømm 9.52(3/8") / 15.88(5/8")				
Refrigerant line (one way) length		m Max.50				
Vertical height differences	Outdoor is higher/lower	m Max.50 / Max.15				
Outdoor operating temperature range	Cooling	°C -15~50*2				
	Heating	°C -20~20				
Air filter, Q'ty		Polypropylene net x 2(washable)				
Remote control (option)		wired:RC-EX3A, RC-E5, RCH-E3 & Interface kit:SC-BIKN2-E				


The values are for simultaneous Multi operation.(except Single case)

R410A		Micro Inverter			
Set model name		SRK100VNAZR	SRK100VSAZR	SRK200VSAPZR	
		Twin			
Indoor unit		SRK100ZR-W	SRK100ZR-W	SRK100ZR-W x 2	
Outdoor unit		FDC100VNA	FDC100VSA	FDC200VSA	
Power source		1 Phase 220-240V, 50Hz / 220V, 60Hz	3 Phase 380-415V, 50Hz / 380V, 60Hz		
Nominal cooling capacity (Min~Max)	kW	10.0 (4.0 ~ 11.2)	10.0 (4.0 ~ 11.2)	19.0 (5.2 ~ 22.4)	
Nominal heating capacity (Min~Max)	kW	11.2 (4.0 ~ 12.5)	11.2 (4.0 ~ 12.5)	22.4 (3.3 ~ 25.0)	
Power consumption	Cooling/Heating	3.19 / 2.78	3.19 / 2.78	7.52 / 7.41	
EER/COP	Cooling/Heating	3.13 / 4.03	3.13 / 4.03	2.53 / 3.02	
Inrush current		5	5	5	
Max. current		24	15	20	
Sound power level*1	Indoor	Cooling/Heating	63 / 63	63 / 63	63 / 63
	Outdoor	Cooling/Heating	70 / 70	70 / 70	72 / 74
Sound pressure level*1	Indoor	Cooling (Hi/Me/Lo/Ulo)	48 / 45 / 40 / 27	48 / 45 / 40 / 27	48 / 45 / 40 / 27
	Outdoor	Heating (Hi/Me/Lo/Ulo)	48 / 43 / 38 / 30	48 / 43 / 38 / 30	48 / 43 / 38 / 30
Air flow	Indoor	Cooling (Hi/Me/Lo/Ulo)	54 / 56	54 / 56	58 / 59
	Outdoor	Heating (Hi/Me/Lo/Ulo)	24.5 / 21.3 / 17.6 / 10.4	24.5 / 21.3 / 17.6 / 10.4	24.5 / 21.3 / 17.6 / 10.4
Exterior dimensions	Indoor	HeightxWidthxDepth	339 / 1,197 / 262		
	Outdoor		845 / 970 / 370	1,300 x 970 x 370	
Net weight	Indoor		16.5		
	Outdoor		80	115	
Ref.piping size	Liquid/Gas	ømm 9.52(3/8") / 15.88(5/8")			
Refrigerant line (one way) length		m Max.50			
Vertical height differences	Outdoor is higher/lower	m Max.50 / Max.15			
Outdoor operating temperature range	Cooling	°C -15~50*2			
	Heating	°C -20~20			
Air filter, Q'ty		Polypropylene net x2 (Washable)			
Remote control (option)		wired:RC-EX3A, RC-E5, RCH-E3 & Interface kit:SC-BIKN2-E			

NOTES:

<p>The data are measured under the following conditions (R410A : ISO-T1, R32 : ISO-T1, H1). Cooling:Indoor temp. of 27°CDB, 19°CWB, and outdoor temp. of 35°CDB. Heating:Indoor temp. of 20°CDB, and outdoor temp. of 7°CDB, 6°CWB. *1 : Indicates the value in an anechoic chamber. During operation these values are somewhat higher due to ambient conditions. *2 : If a cooling operation is conducted when the outdoor air temperature is -5°C or lower, the outdoor unit should be installed at a place where it is not influenced by natural wind. If wind blows, the low pressure will drop and compressor frequency will increase, this will cause the capacity to drop and may cause the unit to break down. *3 : The values are for one indoor unit operation. (Multi system only)</p>

 R32			Standard Inverter		
Set model name			SRK71VNPWZR		SRK100VNPWZR
Indoor unit			SRK71ZR-W		SRK100ZR-W
Outdoor unit			FDC71VNP-W		FDC100VNP-W
Power source			1 Phase 220-240V, 50Hz / 220V, 60Hz		
Nominal cooling capacity (Min~Max)			7.1 (1.5 ~ 7.3)		9.6 (2.1 ~ 9.6)
Nominal heating capacity (Min~Max)			7.1 (1.1 ~ 7.3)		10.0 (1.7 ~ 10.4)
Power consumption			2.36 / 1.88		3.10 / 2.80
EER/COP			3.01 / 3.78		3.10 / 3.57
Inrush current			5		5
Max. current			15.8		19
Sound power level*1	Indoor*3	Cooling/Heating	57 / 60		59 / 62
	Outdoor	Cooling/Heating	67 / 67		68 / 67
Sound pressure level*1	Indoor*3	Cooling (Hi/Me/Lo/Ulo)	44 / 41 / 37 / 25		48 / 45 / 40 / 27
		Heating (Hi/Me/Lo/Ulo)	46 / 39 / 35 / 28		48 / 43 / 38 / 30
	Outdoor	Cooling/Heating	54 / 54		56 / 54
Air flow	Indoor*3	Cooling (Hi/Me/Lo/Ulo)	20.5 / 18.6 / 16.2 / 10.4		24.5 / 21.3 / 17.6 / 10.4
		Heating (Hi/Me/Lo/Ulo)	25.0 / 19.8 / 17.3 / 13.3		27.5 / 23.2 / 19.1 / 13.6
	Outdoor	Cooling/Heating	42 / 42		63 / 55
Exterior dimensions	Indoor	HeightxWidthxDepth	339 x 1,197 x 262		
	Outdoor		640 x 800(+71) x 290		750 x 880(+88) x 340
Net weight	Indoor		15.5		16.5
	Outdoor		45		57
Ref.piping size	Liquid/Gas	ømm	6.35(1/4") / 12.7(1/2")		6.35(1/4") / 15.88(5/8")
Refrigerant line (one way) length			Max.30		
Vertical height differences			Max.20 / Max.20		
Outdoor operating temperature range	Cooling	°C	-15~46*2		
	Heating		-15~20		
Air filter, Q'ty			Polypropylene net x2 (Washable)		
Remote control (option)			wired:RC-EX3A, RC-E5, RCH-E3 & Interface kit:SC-BIKN2-E		

 R410A			Standard Inverter		
Set model name			SRK100VNPW1ZR		
Indoor unit			SRK100ZR-W		
Outdoor unit			FDC100VNP		
Power source			1 Phase 220-240V, 50Hz / 220V, 60Hz		
Nominal cooling capacity (Min~Max)			10.0 (2.4 ~ 10.5)		
Nominal heating capacity (Min~Max)			11.2 (3.2 ~ 11.5)		
Power consumption			3.09 / 3.28		
EER/COP			3.24 / 3.41		
Inrush current			14.4		
Max. current			21		
Sound power level*1	Indoor*3	Cooling/Heating	63 / 63		
	Outdoor	Cooling/Heating	70 / 74		
Sound pressure level*1	Indoor*3	Cooling (Hi/Me/Lo/Ulo)	48 / 45 / 40 / 27		
		Heating (Hi/Me/Lo/Ulo)	48 / 43 / 38 / 30		
	Outdoor	Cooling/Heating	57 / 61		
Air flow	Indoor*3	Cooling (Hi/Me/Lo/Ulo)	24.5 / 21.3 / 17.6 / 10.4		
		Heating (Hi/Me/Lo/Ulo)	27.5 / 23.2 / 19.1 / 13.6		
	Outdoor	Cooling/Heating	75 / 80		
Exterior dimensions	Indoor	HeightxWidthxDepth	339 x 1,197 x 262		
	Outdoor		845 x 970 x 370		
Net weight	Indoor		16.5		
	Outdoor		70		
Ref.piping size	Liquid/Gas	ømm	9.52(3/8") / 15.88(5/8")		
Refrigerant line (one way) length			Max.30		
Vertical height differences			Max.20 / Max.20		
Outdoor operating temperature range	Cooling	°C	-15~46*2		
	Heating		-15~20		
Air filter, Q'ty			Polypropylene net x2 (Washable)		
Remote control (option)			wired:RC-EX3A, RC-E5, RCH-E3 & Interface kit:SC-BIKN2-E		