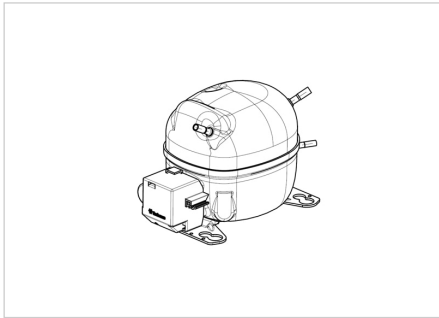


MODEL

EMT2117GK

embraco



APPROVALS



ENGINEERING CODE
912BA67

APPROVED REFRIGERANT
R-404A

POWER SUPPLY
220-240 V 50 Hz

STANDARD CONDITIONS
ASHRAE

APPLICATION
LBP

COOLING CAPACITY
246 W

EFFICIENCY
1.34 W/W

MOTOR TYPE
CSIR

STARTING TORQUE
HST

DATA

General Data

Type	Hermetic reciprocating
Technology Type	On-Off
Displacement	4.5 cm ³
Compressor Cooling	Static/NotControlled/220
Expansion Device	Capillary Tube or Expansion Valve
Horse Power	1/4 hp
Power Supply	220-240 V 50 Hz
Evaporating Temperature Range	-40 °C to -10 °C

Electrical Data

Motor type	CSIR
Starting Torque	HST

Mechanical Data

Oil Charge	180 ml
Oil Type Configuration	ESTER
Oil Type Viscosity	ISO22
Weight	7.8 Kg

Electrical Components

	Description
Starting Device	Relay MTRP-0015*
Start Capacitor	43-53 μ F / 330 V
Motor Protection	T0040/G6

External Characteristics

Tray Holder	Yes	
Connector	Internal Diameter	Shape
Suction	6.1 mm	Slanted 42 μ /Copper
Discharge	4.86 mm	Straight/Copper
Process	6.1 mm	Slanted 42 μ /Copper

PERFORMANCE

Rated Points

Condensing Temperature	Evaporating Temperature	Cooling Capacity	Power Consumption	Current	Gas Flow Rate	Efficiency
54.40°C	-23.30°C	246 W	183 W	1.21 A	5.69 kg/h	1.34 W/W

Test Condition: ASHRAE, Static/NotControlled/220, Return Gas 32.2°C, Evaporation -23.30°C, Condensing 54.40°C, Ambient 32.2°C, Liquid 32.2°C. Data in accordance to ASHRAE guideline

polynomial curve.

Performance Curve Data

Condensing Temperature 35°C

Evaporating Temperature °C	Cooling Capacity W	Power W	Current A	Gas Flow Rate kg/h	Efficiency W/W
-35	160	127	1.03	3.67	1.26
-30	206	142	1.07	4.74	1.45
-25	261	156	1.12	6.06	1.67
-20	329	172	1.17	7.67	1.91
-15	411	188	1.22	9.63	2.19
-10	508	204	1.26	11.99	2.49

Test Condition: ASHRAE, Static/NotControlled/220, LBP. Data in accordance to ASHRAE guideline polynomial curve.

Condensing Temperature 45°C

Evaporating Temperature °C	Cooling Capacity W	Power W	Current A	Gas Flow Rate kg/h	Efficiency W/W
-35	146	131	1.04	3.34	1.11
-30	191	149	1.09	4.41	1.29
-25	245	167	1.15	5.67	1.47
-20	309	186	1.21	7.19	1.67
-15	385	205	1.28	9.02	1.88
-10	475	224	1.34	11.20	2.12

Test Condition: ASHRAE, Static/NotControlled/220, LBP. Data in accordance to ASHRAE guideline polynomial curve.

Condensing Temperature 55°C

Evaporating Temperature °C	Cooling Capacity W	Power W	Current A	Gas Flow Rate kg/h	Efficiency W/W
-35	124	131	1.06	2.84	0.95
-30	171	153	1.12	3.94	1.12
-25	224	176	1.18	5.19	1.28
-20	286	199	1.26	6.65	1.44
-15	358	222	1.34	8.38	1.61
-10	443	246	1.41	10.42	1.8

Test Condition: ASHRAE, Static/NotControlled/220, LBP. Data in accordance to ASHRAE guideline polynomial curve.