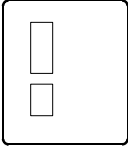





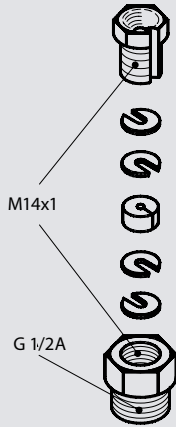
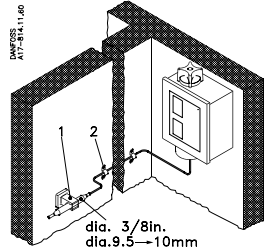
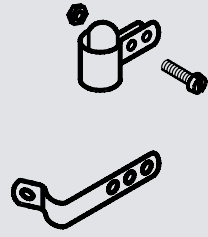
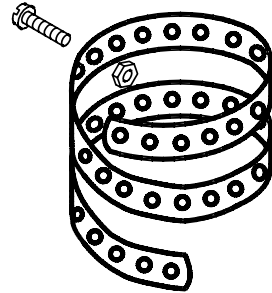


Spare parts and accessories

# Thermostat RT

Description	Qty	Code no.
	<b>Cover with pane</b> <b>017-436166</b>	
	Cover	1
	Screws	4
	<b>Cover without pane</b> <b>017-436266</b>	
	Cover	1
	Screws	4
 DIN 404	Seal screw for cover	1 <b>017425166</b>
	Protective cap	1 <b>017-436066</b>
	Seal screw for cap	1 <b>017-425166</b>
	Setting knob	1 <b>017-436366</b>
 M14x1 G 1/2A	<b>Capillary tube gland</b> <b>017-422066</b>	
	Rubber gasket	1
	Union	1
	Gland	1
	Washer	4

Description	Qty	Code no.
 dia. 3/8in. dia. 9.5 → 10mm	<b>Sensor holder kit</b> <b>017-420166</b>	
	Sensor holder (1)	1
	Clamp (2)	4
	<b>Sensor clamp</b> <b>017-420366</b>	
	Clamp	1
	Screw	1
	Nut	1
	<b>Clamping band</b> <b>017-420466</b>	
	Band	1
	Screw	1
	Nut	1

Description	Qty	Code no.	
	<b>Sensor pocket,</b> G 1/2 A (ISO 228/1)		
	<b>Screw-in depth: 112 mm,</b> <b>material: brass</b>	<b>017-437066</b>	
	<b>Screw-in depth: 112 mm,</b> <b>material: stainless steel</b> <b>18/8</b>	<b>017-436966</b>	
	Sensor pocket	1	
	Union	1	
	Washer	1	
	Rubber plug	1	
	Washer	2	