

MTZ / NTZ, Reciprocating compressors

Maneurop® MT and MTZ series compressors are of the hermetic reciprocating type and are designed for medium and high evaporating temperature applications. NTZ are designed for low evaporating temperature applications.

Available in a large variety of single and tandem models for refrigerants R404A, R134a, R407A/F, R407C, R448A, R449A, R452A and R513A, the compressors fit in lots of different applications.

Features MTZ / NTZ

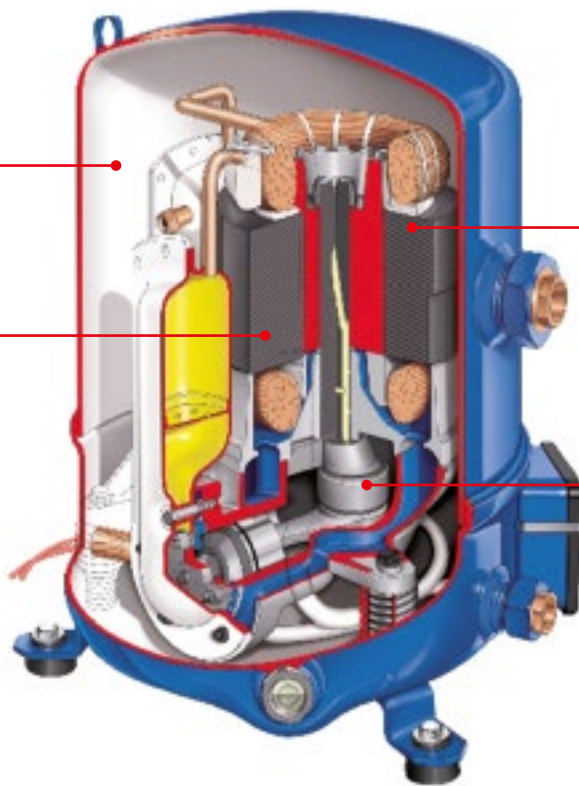


Large internal volume,
large oil sump, sturdy
design

Internal motor protection

100% suction
gas-cooled motor

High efficiency
circular valve design



Facts

Applications:

- Walk-in freezers and cold rooms
- Frozen food processing and storage
- Blast freezers
- Low temperature racks
- Ice cream machines
- Display cabinets
- Water chillers
- Large packaged air conditioners
- Operation under extreme conditions
- Versatile
- No need for air circulation around the compressor
- Long lifetime expectancy and reliability

Technical data and ordering

NTZ - Reciprocating compressors

Technical data

Compressor model	Swept volume [cm ³ /rev]	Displacement		Nominal ratings *)				Number of cylinders	Oil charge litre	Net weight [kg]
		50 Hz 2900 rpm [m ³ /h]	60 Hz 3500 rpm [m ³ /h]	50 Hz		60 Hz				
				Cooling capacity [W]	COP [W/W]	Cooling capacity [W]	COP [W/W]			
NTZ048	48	8.40	10.1	995	1.15	1190	1.13	1	0.95	21
NTZ068	68	11.8	14.3	1749	1.15	2065	1.15	1	0.95	23
NTZ096	96	16.7	20.2	2002	1.15	2395	1.16	2	1.8	35
NTZ108	108	18.7	22.6	2465	1.16	2788	1.10	2	1.8	35
NTZ136	136	23.6	28.5	3225	1.11	3739	1.12	2	1.8	35
NTZ215	215	37.5	45.2	4948	1.19	5886	1.19	4	3.9	62
NTZ271	271	47.3	57.0	6955	1.24	8058	1.21	4	3.9	64

*) Motor code 4 operating conditions: R404A, Evap. temp.: -35°C, Cond. temp.: 40°C, RGT: 20°C, SC: 0 K
For full NTZ data details and capacity tables refer to Online Datasheet Generator: www.danfoss.com/odsg

NTZ - Reciprocating compressors

Ordering single pack *)

Compressor model	Motor voltage code				
	1	3	4	5	9
	208-230/1/60	200-230/3/60	460/3/60 400/3/50	230/1/50	380/3/60
NTZ048	120F0293	120F0279	120F0226	120F0228	120F0302
NTZ068	120F0294	120F0280	120F0230	120F0232	120F0303
NTZ096	120F0295	120F0281	120F0234	–	–
NTZ108	120F0296	120F0282	120F0238	–	120F0304
NTZ136	120F0297	120F0283	120F0236	–	120F0305
NTZ215	–	120F0284	120F0240	–	120F0306
NTZ271	–	120F0285	120F0242	–	120F0307

*) Single pack: one compressor packed in a cardboard box 4 cyl.: cardboard box on 1/4 euro pallet

NTZ compressors

Industrial pack***)

Compressor model	Motor voltage code		
	3	4	5
	200-230/3/60	460/3/60 400/3/50	230/1/50
NTZ048	120F0286	120F0227	120F0229
NTZ068	120F0287	120F0231	120F0233
NTZ096	120F0288	120F0235	
NTZ108	120F0289	120F0239	
NTZ136	120F0290	120F0237	
NTZ215	120F0291	120F0241	
NTZ271	120F0292	120F0243	

***) Industrial pack: a full pallet of unpacked compressors

Technical data and ordering

MTZ - Reciprocating compressors

Technical data

Compressor model	Displacement			Nominal		Net weight [kg]	Available motor voltage codes						
	Code	[cm ³ /rev]	[m ³ /h] at 2900 rpm	Cyl. number	Oil charge [dm ³]		1	3	4	5	6	7	9
MTZ018	JA	30.23	5.26	1	0.95	21	●	●	●	●	–	–	–
MTZ022	JC	38.12	6.63	1	0.95	21	●	●	●	●	●	–	●
MTZ028	JE	48.06	8.36	1	0.95	23	●	●	●	●	●	–	○
MTZ032	JF	53.86	9.37	1	0.95	24	●	●	●	●	●	○	●
MTZ036	JG	60.47	10.52	1	0.95	24	●	●	●	●	●	○	○
MTZ040	JH	67.89	11.81	1	0.95	24	●	●	●	–	●	–	–
MTZ044	HJ	76.22	13.26	2	1.80	35	○	●	●	–	○	○	●
MTZ050	HK	85.64	14.9	2	1.80	35	●	●	●	–	●	○	●
MTZ056	HL	96.13	16.73	2	1.80	37	●	●	●	–	●	●	●
MTZ064	HM	107.71	18.74	2	1.80	37	●	●	●	–	●	●	●
MTZ072	HN	120.94	21.04	2	1.80	40	–	●	●	–	○	–	●
MTZ080	HP	135.78	23.63	2	1.80	40	–	●	●	–	●	–	●
MTZ100	HS	171.26	29.8	4	3.90	60	–	●	●	–	●	●	●
MTZ125	HU	215.44	37.49	4	3.90	64	–	●	●	–	●	●	●
MTZ144	HV	241.87	42.09	4	3.90	67	–	●	●	–	●	●	●
MTZ160	HW	271.55	47.25	4	3.90	67	–	●	●	–	●	●	●

● Available in MT and MTZ

○ Available in MTZ only

MTZ - Reciprocating compressors

Ordering single pack for R404A / R507 / R134a / R407A / C / F / R448A*) / R449A*) / R452A*)

Compressor model	Code no.						
	1	3	4	5	6	7	9
	208-230/1/60	200-230/3/60	460/3/60 400/3/50	230/1/50	230/3/50	575/3/60 500/3/50	380/3/60
MTZ018	MTZ18-1VI	MTZ18-3VI	MTZ18-4VI	MTZ18-5VI	–	–	–
MTZ022	MTZ22-1VI	MTZ22-3VI	MTZ22-4VI	MTZ22-5VI	MTZ22-6VI	–	MTZ22-9VI
MTZ028	MTZ28-1VI	MTZ28-3VI	MTZ28-4VI	MTZ28-5VI	MTZ28-6VI	–	MTZ28-9VI
MTZ032	MTZ32-1VI	MTZ32-3VI	MTZ32-4VI	MTZ32-5VI	MTZ32-6VI	MTZ32-7VI	MTZ32-9VI
MTZ036	MTZ36-1VI	MTZ36-3VI	MTZ36-4VI	MTZ36-5VI	MTZ36-6VI	MTZ36-7VI	MTZ36-9VI
MTZ040	MTZ40-1VI	MTZ40-3VI	MTZ40-4VI	–	MTZ40-6VI	–	–
MTZ044	MTZ44-1VI	MTZ44-3VI	MTZ44-4VI	–	MTZ44-6VI	MTZ44-7VI	MTZ44-9VI
MTZ050	MTZ50-1VI	MTZ50-3VI	MTZ50-4VI	–	MTZ50-6VI	MTZ50-7VI	MTZ50-9VI
MTZ056	MTZ56-1VI	MTZ56-3VI	MTZ56-4VI	–	MTZ56-6VI	MTZ56-7VI	MTZ56-9VI
MTZ064	MTZ64-1VI	MTZ64-3VI	MTZ64-4VI	–	MTZ64-6VI	–	MTZ64-9VI
MTZ072	–	MTZ72-3VI	MTZ72-4VI	–	MTZ72-6VI	–	MTZ72-9VI
MTZ080	–	MTZ80-3VI	MTZ80-4VI	–	MTZ80-6VI	–	MTZ80-9VI
MTZ100	–	MTZ100-3VI	MTZ100-4VI	–	MTZ100-6VI	MTZ100-7VI	MTZ100-9VI
MTZ125	–	MTZ125-3VI	MTZ125-4VI	–	MTZ125-6VI	MTZ125-7VI	MTZ125-9VI
MTZ144	–	MTZ144-3VI	MTZ144-4VI	–	–	MTZ144-7VI	MTZ144-9VI
MTZ160	–	MTZ160-3VI	MTZ160-4VI	–	MTZ160-6VI	MTZ160-7VI	MTZ160-9VI

VI = Single compressor, threaded oil sight glass, 3/8" oil equalisation connection

*) For the availability, please contact Danfoss.

Technical data and ordering

MTZ - Reciprocating compressors

Ordering industrial pack for R404A / R507 / R134a / R407A / C / F / R448A*) / R449A*) / R452A*)

Compressor model	Code no.				
	1	3	4	5	9
	208-230/1/60	200-230/3/60	460/3/60 400/3/50	230/1/50	380/3/60
MTZ018	MTZ18-1VM	MTZ18-3VM	MTZ18-4VM	MTZ18-5VM	-
MTZ022	MTZ22-1VM	MTZ22-3VM	MTZ22-4VM	MTZ22-5VM	MTZ22-9VM
MTZ028	MTZ28-1VM	MTZ28-3VM	MTZ28-4VM	MTZ28-5VM	MTZ28-9VM
MTZ032	MTZ32-1VM	MTZ32-3VM	MTZ32-4VM	MTZ32-5VM	MTZ32-9VM
MTZ036	MTZ36-1VM	MTZ36-3VM	MTZ36-4VM	MTZ36-5VM	MTZ36-9VM
MTZ040	MTZ40-1VM	MTZ40-3VM	MTZ40-4VM	-	-
MTZ044	MTZ44-1VM	MTZ44-3VM	MTZ44-4VM	-	MTZ44-9VM
MTZ050	MTZ50-1VM	MTZ50-3VM	MTZ50-4VM	-	MTZ50-9VM
MTZ056	MTZ56-1VM	MTZ56-3VM	MTZ56-4VM	-	MTZ56-9VM
MTZ064	MTZ64-1VM	MTZ64-3VM	MTZ64-4VM	-	MTZ64-9VM
MTZ072	-	MTZ72-3VM	MTZ72-4VM	-	MTZ72-9VM
MTZ080	-	MTZ80-3VM	MTZ80-4VM	-	MTZ80-9VM
MTZ100	-	MTZ100-3VM	MTZ100-4VM	-	MTZ100-9VM
MTZ125	-	MTZ125-3VM	MTZ125-4VM	-	MTZ125-9VM
MTZ144	-	MTZ144-3VM	MTZ144-4VM	-	MTZ144-9VM
MTZ160	-	MTZ160-3VM	MTZ160-4VM	-	MTZ160-9VM

VM = Compressor, threaded oil sight glass, 3/8" oil equalisation connection

*) For the availability, please contact Danfoss.

MTZ - Reciprocating compressors

Ordering single pack for R22

Compressor model	Code no.						
	1	3	4	5	6	7	9
	208-230/1/60	200-230/3/60	460/3/60 400/3/50	230/1/50	230/3/50	575/3/60 500/3/50	380/3/60
MTZ018	MTZ18-1VI	MTZ18-3VI	MTZ18-4VI	MTZ18-5VI	-	-	-
MTZ022	MTZ22-1VI	MTZ22-3VI	MTZ22-4VI	MTZ22-5VI	MTZ22-6VI	-	MTZ22-9VI
MTZ028	MTZ28-1VI	MTZ28-3VI	MTZ28-4VI	MTZ28-5VI	MTZ28-6VI	-	MTZ28-9VI
MTZ032	MTZ32-1VI	MTZ32-3VI	MTZ32-4VI	MTZ32-5VI	MTZ32-6VI	-	-
MTZ036	MTZ36-1VI	MTZ36-3VI	MTZ36-4VI	MTZ36-5VI	MTZ36-6VI	-	MTZ36-9VI
MTZ040	MTZ40-1VI	MTZ40-3VI	MTZ40-4VI	-	MTZ40-6VI	-	-
MTZ044	-	MTZ44-3VI	MTZ44-4VI	-	-	-	MTZ44-9VI
MTZ050	MTZ50-1VI	MTZ50-3VI	MTZ50-4VI	-	MTZ50-6VI	-	MTZ50-9VI
MTZ056	MTZ56-1VI	MTZ56-3VI	MTZ56-4VI	-	MTZ56-6VI	MTZ56-7VI	MTZ56-9VI
MTZ064	MTZ64-1VI	MTZ64-3VI	MTZ64-4VI	-	MTZ64-6VI	-	MTZ64-9VI
MTZ072	-	MTZ72-3VI	MTZ72-4VI	-	-	-	MTZ72-9VI
MTZ080	-	MTZ80-3VI	MTZ80-4VI	-	MTZ80-6VI	-	MTZ80-9VI
MTZ100	-	MTZ100-3VI	MTZ100-4VI	-	MTZ100-6VI	MTZ100-7VI	MTZ100-9VI
MTZ125	-	MTZ125-3VI	MTZ125-4VI	-	MTZ125-6VI	MTZ125-7VI	MTZ125-9VI
MTZ144	-	MTZ144-3VI	MTZ144-4VI	-	-	MTZ144-7VI	MTZ144-9VI
MTZ160	-	MTZ160-3VI	MTZ160-4VI	-	MTZ160-6VI	MTZ160-7VI	MTZ160-9VI

VI = Single compressor, threaded oil sight glass, 3/8" oil equalisation connection

Technical data and ordering

MTZ - R134a - Reciprocating compressors - 50 Hz

Nominal performance data

Compressor model	To	-25		-20		-15		-10		-5		0		5		10		15	
	Tc	Qo	Pe	Qo	Pe	Qo	Pe	Qo	Pe	Qo	Pe	Qo	Pe	Qo	Pe	Qo	Pe	Qo	Pe
MTZ018	45	250	0.46	470	0.54	740	0.61	1070	0.69	1480	0.76	1980	0.82	2570	0.87	3260	0.91	4060	0.93
MTZ022	45	400	0.52	660	0.62	990	0.72	1410	0.81	1920	0.91	2550	0.99	3310	1.06	4210	1.11	5270	1.15
MTZ028	45	600	0.70	930	0.80	1330	0.91	1820	1.02	2440	1.13	3200	1.23	4130	1.34	5250	1.43	6600	1.51
MTZ032	45	670	0.77	1040	0.93	1500	1.09	2080	1.25	2800	1.40	3690	1.54	4790	1.66	6110	1.76	7700	1.83
MTZ036	45	940	0.99	1440	1.14	2030	1.29	2750	1.45	3610	1.60	4620	1.74	5810	1.86	7180	1.97	8770	2.05
MTZ040	45	1140	1.18	1620	1.32	2200	1.47	2910	1.61	3780	1.75	4830	1.89	6080	2.01	7570	2.12	9310	2.21
MTZ044	45	940	0.79	1460	1.05	2110	1.29	2930	1.49	3940	1.67	5190	1.83	6720	1.95	8540	2.05	10720	2.13
MTZ050	45	1060	1.00	1660	1.30	2420	1.57	3360	1.80	4550	2.00	6010	2.17	7790	2.31	9930	2.42	12470	2.51
MTZ056	45	1160	1.11	1760	1.38	2530	1.64	3530	1.88	4790	2.11	6380	2.31	8340	2.49	10730	2.64	13590	2.77
MTZ064	45	1310	1.18	2060	1.54	3000	1.87	4190	2.17	5680	2.43	7500	2.67	9720	2.87	12370	3.04	15510	3.18
MTZ072	45	1610	1.37	2470	1.79	3540	2.16	4870	2.50	6530	2.81	8560	3.08	11030	3.33	13990	3.54	17500	3.74
MTZ080	45	2100	1.84	3110	2.23	4340	2.59	5860	2.93	7720	3.24	9990	3.54	12720	3.80	16000	4.05	19860	4.27
MTZ100	45	2080	2.44	3270	2.84	4760	3.25	6620	3.65	8900	4.02	11680	4.35	15010	4.63	18960	4.84	23590	4.96
MTZ125	45	2670	2.53	4160	3.07	6010	3.63	8310	4.17	11110	4.69	14500	5.16	18540	5.57	23300	5.89	28860	6.09
MTZ144	45	3740	3.78	5620	4.31	7930	4.85	10730	5.40	14100	5.94	18110	6.46	22840	6.93	28350	7.34	34720	7.67
MTZ160	45	4230	4.09	6300	4.64	8830	5.23	11900	5.84	15590	6.45	19990	7.06	25190	7.65	31250	8.21	38280	8.72

To: Evaporating temperature in [°C]
Tc: Condensing temperature in [°C]
Qo: Cooling Capacity in [W]
Pe: Power input in [kW]
Subcooling: 0 K
Superheat: 10 K
Voltage: 400 V/3/50 Hz

MTZ - R134a - Reciprocating compressors - 60 Hz

Nominal performance data

Compressor model	To	-25		-20		-15		-10		-5		0		5		10		15	
	Tc	Qo	Pe	Qo	Pe	Qo	Pe	Qo	Pe	Qo	Pe	Qo	Pe	Qo	Pe	Qo	Pe	Qo	Pe
MTZ018	45	310	0.55	560	0.64	890	0.74	1290	0.83	1780	0.91	2370	0.98	3080	1.04	3910	1.09	4870	1.11
MTZ022	45	480	0.63	790	0.74	1190	0.86	1690	0.98	2310	1.09	3060	1.19	3970	1.27	5050	1.33	6330	1.38
MTZ028	45	720	0.84	1120	0.97	1590	1.09	2190	1.22	2930	1.35	3840	1.48	4950	1.60	6300	1.71	7920	1.81
MTZ032	45	800	0.92	1250	1.11	1800	1.31	2490	1.50	3360	1.68	4430	1.85	5750	1.99	7340	2.11	9230	2.19
MTZ036	45	1130	1.18	1720	1.37	2440	1.55	3300	1.74	4330	1.92	5550	2.09	6970	2.24	8620	2.36	10520	2.46
MTZ040	45	1370	1.42	1940	1.59	2640	1.76	3500	1.93	4540	2.10	5800	2.26	7300	2.41	9080	2.54	11170	2.65
MTZ044	45	1130	0.95	1750	1.26	2530	1.54	3510	1.79	4730	2.01	6230	2.19	8060	2.35	10250	2.46	12860	2.55
MTZ050	45	1270	1.20	1990	1.56	2900	1.88	4040	2.16	5460	2.40	7210	2.61	9350	2.78	11920	2.91	14970	3.01
MTZ056	45	1400	1.33	2110	1.66	3040	1.97	4230	2.26	5750	2.53	7660	2.77	10010	2.99	12870	3.17	16300	3.32
MTZ064	45	1580	1.42	2470	1.85	3600	2.24	5030	2.60	6810	2.92	9010	3.20	11670	3.45	14850	3.65	18610	3.81
MTZ072	45	1930	1.64	2970	2.14	4250	2.60	5850	3.00	7830	3.37	10270	3.70	13230	3.99	16790	4.25	21000	4.49
MTZ080	45	2520	2.21	3730	2.67	5210	3.11	7030	3.51	9260	3.89	11980	4.24	15270	4.56	19200	4.86	23840	5.13
MTZ100	45	2500	2.93	3930	3.41	5710	3.90	7940	4.37	10680	4.82	14010	5.22	18010	5.56	22750	5.81	28310	5.95
MTZ125	45	3200	3.03	4990	3.69	7210	4.35	9970	5.01	13330	5.63	17400	6.20	22240	6.68	27960	7.06	34630	7.31
MTZ144	45	4490	4.54	6750	5.17	9520	5.82	12880	6.48	16920	7.13	21730	7.75	27400	8.31	34020	8.80	41670	9.21
MTZ160	45	5080	4.91	7560	5.57	10600	6.28	14280	7.00	18710	7.74	23990	8.47	30220	9.18	37510	9.85	45940	10.47

To: Evaporating temperature in [°C]
Tc: Condensing temperature in [°C]
Qo: Cooling Capacity in [W]
Pe: Power input in [kW]
Subcooling: 0 K
Superheat: 10 K
Voltage: 460 V/3/60 Hz



For more information and performance with other refrigerants, please refer to Coolselector *2 at coolselector.danfoss.com or contact Danfoss.

Technical data and ordering

MTZ - R404A - Reciprocating compressors - 50 Hz

Nominal performance data

Compressor model	To	-30		-25		-20		-15		-10		-5		0		5		10	
	Tc	Qo	Pe	Qo	Pe	Qo	Pe	Qo	Pe	Qo	Pe	Qo	Pe	Qo	Pe	Qo	Pe	Qo	Pe
MTZ018	45	390	0.69	650	0.83	980	0.96	1400	1.09	1900	1.21	2520	1.31	3250	1.40	4110	1.47	5120	1.53
MTZ022	45	640	0.86	980	1.03	1410	1.19	1960	1.34	2620	1.48	3440	1.61	4410	1.72	5550	1.82	6880	1.90
MTZ028	45	760	1.05	1250	1.30	1850	1.53	2570	1.75	3430	1.96	4450	2.14	5640	2.31	7040	2.45	8640	2.56
MTZ032	45	1040	1.20	1580	1.46	2240	1.71	3030	1.94	3980	2.16	5110	2.36	6440	2.55	7980	2.71	9760	2.86
MTZ036	45	1300	1.50	1930	1.78	2690	2.06	3600	2.33	4670	2.58	5930	2.81	7400	3.01	9100	3.19	11050	3.34
MTZ040	45	1600	1.70	2320	2.05	3160	2.37	4160	2.67	5330	2.95	6700	3.20	8290	3.44	10130	3.65	12230	3.84
MTZ044	45	1360	1.60	2100	1.94	2990	2.25	4070	2.52	5370	2.77	6910	3.00	8740	3.20	10890	3.38	13370	3.54
MTZ050	45	1700	1.94	2500	2.29	3510	2.62	4750	2.93	6260	3.22	8070	3.48	10220	3.71	12740	3.91	15680	4.07
MTZ056	45	1730	2.04	2620	2.43	3710	2.81	5060	3.17	6710	3.51	8690	3.83	11060	4.11	13840	4.36	17090	4.57
MTZ064	45	2160	2.32	3200	2.83	4480	3.32	6060	3.78	7980	4.20	10300	4.60	13070	4.96	16330	5.28	20150	5.55
MTZ072	45	2550	2.74	3670	3.25	5080	3.75	6810	4.23	8920	4.69	11450	5.11	14450	5.51	17970	5.87	22050	6.19
MTZ080	45	3170	3.15	4530	3.85	6170	4.48	8130	5.07	10470	5.61	13230	6.11	16470	6.57	20240	7.01	24580	7.41
MTZ100	45	3240	4.01	4930	4.80	6960	5.53	9390	6.18	12280	6.76	15700	7.26	19710	7.70	24370	8.06	29760	8.34
MTZ125	45	4660	5.16	6620	6.02	9060	6.86	12060	7.67	15710	8.44	20080	9.16	25250	9.83	31300	10.44	38310	10.98
MTZ144	45	5700	6.08	8060	7.05	10920	8.00	14370	8.91	18490	9.78	23380	10.60	29110	11.36	35770	12.06	43450	12.69
MTZ160	45	6280	6.80	8870	7.95	12010	9.04	15790	10.08	20310	11.08	25640	12.05	31900	13.01	39160	13.97	47540	14.95

To : Evaporating temperature in [°C]
Tc : Condensing temperature in [°C]
Qo : Cooling Capacity in [W]
Pe : Power input in [kW]
Subcooling : 0 K
Superheat : 10 K
Voltage : 400 V / 3 / 50 Hz

MTZ - R404A - Reciprocating compressors - 60 Hz

Nominal performance data

Compressor model	To	-30		-25		-20		-15		-10		-5		0		5		10	
	Tc	Qo	Pe	Qo	Pe	Qo	Pe	Qo	Pe	Qo	Pe	Qo	Pe	Qo	Pe	Qo	Pe	Qo	Pe
MTZ018	45	340	0.78	730	1.06	1190	1.29	1750	1.48	2410	1.63	3190	1.76	4100	1.85	5160	1.91	6380	1.96
MTZ022	45	820	1.08	1280	1.30	1840	1.51	2510	1.70	3330	1.87	4300	2.03	5440	2.17	6770	2.29	8320	2.39
MTZ028	45	1240	1.42	1840	1.71	2540	1.98	3370	2.23	4350	2.45	5500	2.66	6830	2.84	8360	2.99	10110	3.13
MTZ032	45	1350	1.52	1980	1.84	2740	2.15	3660	2.44	4750	2.72	6050	2.97	7580	3.19	9370	3.37	11440	3.51
MTZ036	45	1400	1.67	2160	2.01	3070	2.35	4170	2.69	5480	3.03	7040	3.35	8860	3.67	10990	3.97	13440	4.24
MTZ040	45	1660	1.93	2520	2.32	3550	2.69	4790	3.05	6260	3.42	8010	3.77	10050	4.12	12420	4.47	15150	4.82
MTZ044	45	1470	1.85	2440	2.33	3600	2.78	4990	3.19	6650	3.55	8600	3.87	10890	4.15	13540	4.38	16580	4.56
MTZ050	45	1970	2.29	3060	2.80	4370	3.27	5930	3.69	7780	4.06	9970	4.38	12520	4.66	15470	4.90	18870	5.10
MTZ056	45	2160	2.41	3430	3.07	4940	3.64	6750	4.14	8870	4.58	11360	4.98	14250	5.34	17580	5.69	21380	6.03
MTZ064	45	2630	2.83	3990	3.52	5610	4.15	7560	4.70	9860	5.21	12580	5.67	15760	6.10	19440	6.51	23680	6.90
MTZ072	45	3160	3.44	4640	4.16	6440	4.83	8610	5.45	11210	6.01	14280	6.53	17900	7.00	22100	7.41	26940	7.77
MTZ080	45	3940	4.02	5580	4.91	7560	5.72	9930	6.47	12760	7.16	16090	7.80	20000	8.40	24540	8.96	29760	9.51
MTZ100	45	3790	4.61	5800	5.63	8220	6.54	11110	7.35	14530	8.06	18560	8.69	23270	9.23	28730	9.70	35000	10.10
MTZ125	45	5820	6.37	8290	7.47	11230	8.52	14710	9.52	18820	10.45	23650	11.30	29260	12.06	35750	12.72	43190	13.28
MTZ144	45	7210	7.40	10030	8.66	13400	9.83	17430	10.91	22200	11.95	27810	12.94	34360	13.92	41950	14.90	50680	15.91
MTZ160	45	8000	8.38	11040	9.64	14670	10.93	18990	12.23	24120	13.52	30160	14.80	37220	16.05	45400	17.26	54800	18.40

To : Evaporating temperature in [°C]
Tc : Condensing temperature in [°C]
Qo : Cooling Capacity in [W]
Pe : Power input in [kW]
Subcooling : 0 K
Superheat : 10 K
Voltage : 460 V / 3 / 60 Hz



For more information and performance with other refrigerants, please refer to Coolselector * 2 at coolselector.danfoss.com or contact Danfoss.

Technical data and ordering

MTZ - R407A - Reciprocating compressors - 50 Hz

Nominal performance data

Compressor model	To	-30		-25		-20		-15		-10		-5		0		5		10	
	Tc	Qo	Pe	Qo	Pe	Qo	Pe	Qo	Pe	Qo	Pe	Qo	Pe	Qo	Pe	Qo	Pe	Qo	Pe
MTZ018	45	260	0.49	510	0.62	830	0.76	1240	0.90	1740	1.02	2340	1.14	3070	1.24	3930	1.32	4940	1.39
MTZ022	45	430	0.60	760	0.77	1190	0.94	1730	1.10	2390	1.26	3200	1.40	4170	1.53	5300	1.64	6630	1.72
MTZ028	45	510	0.74	990	0.99	1570	1.23	2280	1.46	3130	1.67	4140	1.86	5330	2.03	6720	2.19	8330	2.32
MTZ032	45	700	0.85	1240	1.11	1890	1.37	2690	1.61	3630	1.84	4760	2.05	6080	2.25	7630	2.43	9400	2.59
MTZ036	45	870	1.06	1510	1.35	2270	1.64	3180	1.92	4260	2.19	5520	2.44	7000	2.66	8700	2.86	10670	3.03
MTZ040	45	1070	1.21	1830	1.56	2700	1.90	3710	2.22	4890	2.51	6250	2.79	7840	3.04	9670	3.27	11760	3.47
MTZ044	45	920	1.13	1630	1.47	2520	1.79	3590	2.09	4890	2.36	6440	2.60	8270	2.83	10410	3.03	12890	3.20
MTZ050	45	1140	1.36	1940	1.73	2950	2.08	4190	2.42	5700	2.73	7520	3.02	9670	3.28	12190	3.50	15120	3.69
MTZ056	45	1160	1.43	2030	1.84	3120	2.23	4470	2.62	6120	2.98	8100	3.32	10460	3.63	13240	3.91	16480	4.15
MTZ064	45	1450	1.64	2480	2.15	3760	2.64	5340	3.12	7270	3.57	9600	3.99	12360	4.38	15620	4.73	19420	5.03
MTZ072	45	1710	1.93	2850	2.46	4260	2.98	6010	3.49	8130	3.98	10670	4.44	13680	4.87	17190	5.27	21260	5.61
MTZ080	45	2130	2.23	3520	2.91	5190	3.57	7180	4.18	9540	4.76	12330	5.30	15590	5.81	19360	6.28	23710	6.72
MTZ100	45	2170	2.82	3860	3.64	5880	4.41	8300	5.10	11200	5.74	14620	6.31	18640	6.80	23310	7.22	28700	7.56
MTZ125	45	3130	3.65	5130	4.56	7610	5.45	10650	6.33	14330	7.17	18710	7.96	23890	8.70	29950	9.36	36940	9.95
MTZ144	45	3830	4.33	6270	5.37	9190	6.39	12700	7.37	16870	8.32	21780	9.21	27540	10.04	34220	10.81	41910	11.49
MTZ160	45	4220	4.84	6900	6.05	10120	7.21	13960	8.33	18520	9.42	23890	10.48	30180	11.51	37470	12.53	45860	13.53

To: Evaporating temperature in [°C]
Tc: Condensing temperature in [°C]
Qo: Cooling Capacity in [W]
Pe: Power input in [kW]
Subcooling: 0 K
Superheat: 10 K
Voltage: 400 V/3/50 Hz

MTZ - R407A - Reciprocating compressors - 60 Hz

Nominal performance data

Compressor model	To	-30		-25		-20		-15		-10		-5		0		5		10	
	Tc	Qo	Pe	Qo	Pe	Qo	Pe	Qo	Pe	Qo	Pe	Qo	Pe	Qo	Pe	Qo	Pe	Qo	Pe
MTZ018	45	310	0.58	620	0.75	1000	0.91	1490	1.07	2080	1.22	2810	1.36	3690	1.48	4720	1.59	5930	1.66
MTZ022	45	520	0.72	910	0.93	1420	1.13	2070	1.32	2870	1.51	3840	1.68	5000	1.83	6360	1.96	7950	2.07
MTZ028	45	620	0.89	1190	1.19	1890	1.48	2740	1.75	3760	2.00	4970	2.23	6400	2.44	8070	2.62	9990	2.78
MTZ032	45	840	1.05	1490	1.38	2270	1.70	3220	2.00	4360	2.28	5710	2.55	7300	2.79	9150	3.01	11290	3.21
MTZ036	45	1050	1.27	1810	1.62	2730	1.97	3820	2.31	5110	2.62	6630	2.92	8400	3.19	10440	3.44	12800	3.64
MTZ040	45	1290	1.45	2190	1.87	3230	2.28	4450	2.66	5860	3.02	7510	3.34	9410	3.65	11600	3.92	14110	4.16
MTZ044	45	1100	1.35	1960	1.76	3020	2.15	4310	2.50	5870	2.83	7730	3.12	9920	3.39	12490	3.63	15470	3.84
MTZ050	45	1370	1.63	2330	2.08	3540	2.50	5030	2.90	6840	3.28	9020	3.62	11600	3.93	14630	4.20	18140	4.43
MTZ056	45	1400	1.72	2440	2.21	3750	2.68	5370	3.14	7340	3.58	9720	3.99	12560	4.36	15890	4.69	19770	4.98
MTZ064	45	1740	1.97	2980	2.58	4520	3.17	6410	3.74	8730	4.29	11520	4.79	14840	5.26	18750	5.67	23300	6.03
MTZ072	45	2050	2.32	3420	2.95	5120	3.57	7210	4.18	9760	4.77	12810	5.33	16410	5.85	20630	6.32	25510	6.73
MTZ080	45	2560	2.67	4230	3.50	6230	4.28	8620	5.02	11450	5.71	14800	6.37	18700	6.97	23240	7.54	28450	8.06
MTZ100	45	2610	3.39	4630	4.37	7050	5.29	9960	6.13	13440	6.89	17540	7.57	22360	8.16	27970	8.67	34440	9.08
MTZ125	45	3750	4.38	6150	5.47	9130	6.55	12780	7.59	17190	8.60	22460	9.55	28670	10.44	35930	11.24	44330	11.94
MTZ144	45	4600	5.19	7520	6.45	11030	7.67	15240	8.85	20240	9.98	26140	11.05	33050	12.05	41070	12.97	50300	13.79
MTZ160	45	5060	5.81	8280	7.26	12140	8.65	16750	10.00	22220	11.30	28670	12.57	36210	13.81	44960	15.03	55030	16.24

To: Evaporating temperature in [°C]
Tc: Condensing temperature in [°C]
Qo: Cooling Capacity in [W]
Pe: Power input in [kW]
Subcooling: 0 K
Superheat: 10 K
Voltage: 460 V/3/60 Hz



For more information and performance with other refrigerants, please refer to Coolselector *2 at coolselector.danfoss.com or contact Danfoss.

Technical data and ordering

MTZ - R407F - Reciprocating compressors - 50 Hz

Nominal performance data

Compressor model	To	-25			-20		-15		-10		-5		0		5		10	
	Tc	Qo	Pe	Qo	Pe	Qo	Pe	Qo	Pe	Qo	Pe	Qo	Pe	Qo	Pe	Qo	Pe	
MTZ018	45	540	0.70	890	0.83	1320	0.96	1850	1.08	2490	1.20	3260	1.30	4170	1.39	5230	1.44	
MTZ022	45	810	0.86	1270	1.02	1840	1.18	2540	1.33	3400	1.48	4410	1.61	5620	1.72	7030	1.80	
MTZ028	45	1030	1.09	1660	1.31	2420	1.53	3320	1.76	4390	1.96	5650	2.15	7130	2.31	8830	2.42	
MTZ032	45	1310	1.22	2010	1.46	2850	1.70	3860	1.94	5050	2.17	6450	2.38	8080	2.56	9970	2.71	
MTZ036	45	1610	1.49	2430	1.76	3390	2.04	4520	2.31	5860	2.57	7410	2.81	9210	3.01	11290	3.16	
MTZ040	45	1930	1.71	2850	2.02	3920	2.34	5170	2.65	6620	2.94	8300	3.21	10250	3.44	12480	3.63	
MTZ044	45	1750	1.62	2690	1.92	3830	2.21	5200	2.49	6830	2.75	8760	2.99	11020	3.19	13660	3.35	
MTZ050	45	2090	1.88	3160	2.24	4470	2.58	6060	2.90	7970	3.19	10240	3.44	12910	3.67	16020	3.85	
MTZ056	45	2180	2.03	3340	2.40	4770	2.78	6500	3.16	8590	3.51	11080	3.84	14020	4.11	17460	4.33	
MTZ064	45	2670	2.38	4040	2.84	5700	3.31	7730	3.78	10180	4.22	13100	4.63	16540	4.97	20580	5.25	
MTZ072	45	3060	2.74	4570	3.21	6410	3.71	8640	4.21	11310	4.69	14480	5.14	18190	5.53	22520	5.85	
MTZ080	45	3790	3.23	5560	3.84	7650	4.44	10140	5.04	13070	5.60	16500	6.13	20490	6.60	25100	7.01	
MTZ100	45	4090	4.01	6270	4.73	8840	5.42	11900	6.07	15500	6.66	19740	7.18	24680	7.59	30400	7.89	
MTZ125	45	5520	5.07	8160	5.88	11360	6.73	15220	7.58	19830	8.41	25290	9.17	31700	9.84	39130	10.38	
MTZ144	45	6730	5.92	9840	6.85	13530	7.81	17910	8.78	23090	9.72	29160	10.60	36220	11.36	44370	11.99	
MTZ160	45	7420	6.70	10820	7.75	14870	8.84	19670	9.95	25320	11.05	31950	12.13	39650	13.16	48540	14.12	

To : Evaporating temperature in [°C]
Tc : Condensing temperature in [°C]
Qo : Cooling Capacity in [W]
Pe : Power input in [kW]
Subcooling : 0 K
Superheat : 10 K
Voltage : 400 V/3 /50 Hz

MTZ - R407F - Reciprocating compressors - 60 Hz

Nominal performance data

Compressor model	To	-25			-20		-15		-10		-5		0		5		10	
	Tc	Qo	Pe	Qo	Pe	Qo	Pe	Qo	Pe	Qo	Pe	Qo	Pe	Qo	Pe	Qo	Pe	
MTZ018	45	650	0.84	1060	0.99	1580	1.15	2220	1.30	2990	1.44	3910	1.57	5010	1.66	6280	1.73	
MTZ022	45	970	1.03	1520	1.22	2210	1.41	3050	1.60	4070	1.77	5300	1.93	6740	2.06	8430	2.16	
MTZ028	45	1240	1.30	1990	1.57	2900	1.84	3980	2.11	5270	2.36	6780	2.58	8550	2.77	10600	2.91	
MTZ032	45	1580	1.46	2420	1.75	3430	2.04	4630	2.33	6060	2.60	7740	2.85	9700	3.07	11960	3.25	
MTZ036	45	1930	1.79	2910	2.12	4070	2.45	5430	2.78	7030	3.09	8890	3.37	11060	3.61	13550	3.79	
MTZ040	45	2320	2.05	3420	2.43	4700	2.81	6200	3.18	7940	3.53	9970	3.85	12300	4.13	14980	4.36	
MTZ044	45	2100	1.95	3230	2.30	4600	2.66	6240	2.99	8190	3.30	10510	3.58	13230	3.82	16390	4.01	
MTZ050	45	2500	2.26	3790	2.69	5370	3.09	7270	3.48	9560	3.82	12290	4.13	15490	4.40	19220	4.62	
MTZ056	45	2610	2.44	4010	2.88	5720	3.34	7800	3.79	10310	4.22	13300	4.60	16830	4.94	20950	5.19	
MTZ064	45	3210	2.85	4840	3.40	6840	3.97	9280	4.53	12210	5.07	15710	5.55	19850	5.97	24690	6.30	
MTZ072	45	3680	3.28	5490	3.85	7690	4.45	10370	5.05	13570	5.63	17370	6.17	21830	6.64	27030	7.02	
MTZ080	45	4540	3.87	6670	4.60	9180	5.33	12170	6.05	15680	6.73	19800	7.36	24590	7.92	30120	8.41	
MTZ100	45	4910	4.81	7520	5.67	10610	6.50	14270	7.29	18600	8.00	23690	8.61	29610	9.11	36480	9.47	
MTZ125	45	6630	6.08	9790	7.06	13630	8.07	18260	9.10	23800	10.09	30350	11.00	38040	11.80	46960	12.45	
MTZ144	45	8080	7.11	11810	8.22	16240	9.37	21500	10.54	27710	11.67	34990	12.72	43460	13.64	53240	14.39	
MTZ160	45	8900	8.04	12990	9.30	17850	10.61	23600	11.94	30390	13.27	38340	14.56	47580	15.79	58250	16.94	

To : Evaporating temperature in [°C]
Tc : Condensing temperature in [°C]
Qo : Cooling Capacity in [W]
Pe : Power input in [kW]
Subcooling : 0 K
Superheat : 10 K
Voltage : 460 V/3 /60 Hz



For more information and performance with other refrigerants, please refer to Coolselector® 2 at coolselector.danfoss.com or contact Danfoss.

01
02
03
04
05
06
07
08
09
10
11
12
13
14
15
16
17
18
19
20

Technical data and ordering

MTZ - R407C - Reciprocating compressors - 50 Hz

Nominal performance data

Compressor model	To	-15		-10		-5		0		5		10		15	
	Tc	Qo	Pe	Qo	Pe	Qo	Pe	Qo	Pe	Qo	Pe	Qo	Pe	Qo	Pe
MTZ018	45	1080	0.82	1610	0.94	2230	1.04	2980	1.13	3850	1.20	4860	1.25	6030	1.30
MTZ022	45	1620	1.07	2280	1.24	3060	1.39	3970	1.50	5030	1.60	6260	1.67	7670	1.73
MTZ028	45	1980	1.30	2850	1.52	3870	1.72	5070	1.89	6470	2.03	8080	2.13	9940	2.21
MTZ032	45	2480	1.50	3430	1.75	4530	1.95	5820	2.12	7310	2.27	9030	2.38	11000	2.48
MTZ036	45	2990	1.81	4040	2.10	5240	2.36	6620	2.57	8210	2.73	10030	2.86	12100	2.95
MTZ040	45	3560	2.18	4720	2.48	6070	2.74	7630	2.98	9420	3.18	11480	3.35	13820	3.48
MTZ044	45	3260	1.97	4510	2.28	6050	2.54	7910	2.76	10140	2.94	12770	3.10	15830	3.24
MTZ050	45	3850	2.34	5300	2.70	7020	3.00	9070	3.24	11480	3.45	14300	3.61	17560	3.75
MTZ056	45	4150	2.50	5790	2.90	7740	3.24	10080	3.53	12830	3.77	16050	3.98	19790	4.16
MTZ064	45	5080	2.91	6860	3.35	9020	3.73	11600	4.05	14670	4.32	18260	4.57	22430	4.79
MTZ072	45	5770	3.49	7830	3.96	10320	4.39	13280	4.77	16770	5.11	20840	5.39	25550	5.63
MTZ080	45	6670	4.08	9040	4.64	11830	5.12	15100	5.54	18930	5.89	23350	6.19	28450	6.45
MTZ100	45	7200	4.81	10100	5.47	13590	6.04	17730	6.52	22600	6.92	28290	7.26	34860	7.56
MTZ125	45	10530	6.13	14180	6.97	18480	7.69	23510	8.31	29390	8.84	36190	9.30	44020	9.69
MTZ144	45	11580	7.07	15600	7.92	20370	8.70	25970	9.42	32520	10.04	40110	10.58	48860	11.01
MTZ160	45	14060	8.21	18490	9.20	23730	10.09	29910	10.91	37150	11.68	45560	12.42	55270	13.16

To: Evaporating temperature in [°C]
Tc: Condensing temperature in [°C]
Qo: Cooling Capacity in [W]
Pe: Power input in [kW]
Subcooling: 0 K
Superheat: 10 K
Voltage: 400 V/3/50 Hz

MTZ - R407C - Reciprocating compressors - 60 Hz

Nominal performance data

Compressor model	To	-15		-10		-5		0		5		10		15	
	Tc	Qo	Pe	Qo	Pe	Qo	Pe	Qo	Pe	Qo	Pe	Qo	Pe	Qo	Pe
MTZ018	45	1560	1.03	2230	1.20	3010	1.32	3920	1.42	4970	1.49	6180	1.54	7570	1.57
MTZ022	45	2130	1.32	2910	1.52	3840	1.68	4930	1.82	6200	1.93	7670	2.02	9370	2.10
MTZ028	45	2900	1.77	3860	1.96	5000	2.14	6380	2.30	8010	2.45	9950	2.58	12210	2.71
MTZ032	45	3290	1.94	4320	2.17	5550	2.37	7030	2.57	8780	2.74	10850	2.89	13260	3.02
MTZ036	45	3590	2.21	4720	2.54	6110	2.86	7800	3.15	9810	3.41	12190	3.63	14960	3.80
MTZ040	45	3960	2.45	5420	2.81	7130	3.18	9130	3.54	11450	3.90	14140	4.23	17230	4.52
MTZ044	45	4170	2.47	5790	2.87	7700	3.20	9940	3.46	12550	3.67	15570	3.83	19040	3.95
MTZ050	45	4870	2.92	6550	3.32	8570	3.66	10980	3.95	13860	4.19	17260	4.38	21240	4.53
MTZ056	45	5560	3.24	7470	3.69	9770	4.07	12530	4.40	15790	4.69	19630	4.96	24110	5.22
MTZ064	45	6080	3.64	8330	4.14	10940	4.56	13990	4.93	17520	5.27	21590	5.58	26250	5.89
MTZ072	45	7200	4.25	9710	4.88	12670	5.43	16120	5.91	20140	6.33	24780	6.70	30120	7.03
MTZ080	45	7780	4.80	10570	5.47	13820	6.08	17640	6.63	22160	7.15	27480	7.63	33700	8.10
MTZ100	45	9540	5.95	13030	6.79	17160	7.47	22020	8.02	27720	8.48	34350	8.88	42010	9.25
MTZ125	45	13460	7.78	17720	8.75	22720	9.63	28550	10.42	35330	11.15	43170	11.82	52170	12.45
MTZ144	45	15250	8.78	20220	9.90	25920	10.88	32450	11.73	39940	12.47	48480	13.11	58200	13.68
MTZ160	45	17150	9.98	22430	11.22	28610	12.42	35830	13.54	44230	14.57	53930	15.46	65090	16.19

To: Evaporating temperature in [°C]
Tc: Condensing temperature in [°C]
Qo: Cooling Capacity in [W]
Pe: Power input in [kW]
Subcooling: 0 K
Superheat: 10 K
Voltage: 460 V/3/60 Hz



For more information and performance with other refrigerants, please refer to Coolselector[®] 2 at coolselector.danfoss.com or contact Danfoss.

Technical data and ordering

MTZ - R448A - Reciprocating compressors - 50 Hz

Nominal performance data

Compressor model	To	-30		-25		-20		-15		-10		-5		0		5		10	
	Tc	Qo	Pe	Qo	Pe	Qo	Pe	Qo	Pe	Qo	Pe	Qo	Pe	Qo	Pe	Qo	Pe	Qo	Pe
MTZ018	45	260	0.48	550	0.64	900	0.78	1330	0.92	1840	1.04	2440	1.14	3160	1.22	3980	1.28	4930	1.32
MTZ022	45	790	0.85	1110	0.98	1500	1.11	1980	1.24	2580	1.37	3320	1.49	4220	1.60	5310	1.70	6610	1.79
MTZ028	45	980	1.05	1370	1.21	1850	1.37	2440	1.53	3180	1.69	4100	1.84	5210	1.97	6560	2.10	8170	2.20
MTZ032	45	1080	1.10	1550	1.30	2110	1.49	2810	1.68	3660	1.87	4700	2.05	5960	2.22	7470	2.37	9250	2.50
MTZ036	45	1180	1.27	1720	1.51	2400	1.76	3240	2.00	4250	2.24	5460	2.46	6900	2.66	8590	2.84	10550	3.00
MTZ040	45	1340	1.49	1960	1.77	2740	2.06	3710	2.34	4880	2.62	6280	2.88	7930	3.12	9870	3.33	12110	3.50
MTZ044	45	1130	1.34	1820	1.64	2670	1.94	3720	2.22	5010	2.49	6570	2.73	8430	2.95	10650	3.12	13240	3.26
MTZ050	45	1250	1.43	2050	1.80	3020	2.18	4230	2.54	5700	2.87	7490	3.18	9620	3.44	12150	3.64	15110	3.78
MTZ056	45	1390	1.57	2280	1.99	3360	2.40	4700	2.79	6340	3.16	8320	3.50	10690	3.78	13500	4.01	16800	4.16
MTZ064	45	1740	1.87	2730	2.33	3960	2.78	5480	3.22	7330	3.62	9540	3.99	12150	4.30	15210	4.56	18740	4.75
MTZ072	45	2000	2.17	3140	2.70	4560	3.23	6310	3.73	8440	4.20	10980	4.62	13990	4.99	17510	5.29	21580	5.52
MTZ080	45	2840	2.82	4140	3.36	5730	3.91	7670	4.45	10010	4.97	12800	5.45	16090	5.89	19930	6.27	24380	6.57
MTZ100	45	2770	3.28	4250	3.91	6120	4.55	8450	5.19	11310	5.79	14780	6.34	18940	6.82	23850	7.21	29600	7.49
MTZ125	45	3740	4.19	5720	5.01	8230	5.85	11370	6.67	15220	7.44	19890	8.15	25470	8.77	32060	9.26	39760	9.60
MTZ144	45	5150	5.02	7430	6.01	10210	6.93	13550	7.81	17560	8.63	22320	9.42	27920	10.16	34430	10.86	41960	11.54
MTZ160	45	5890	5.80	8530	6.88	11710	7.93	15550	8.92	20140	9.87	25590	10.77	32010	11.62	39480	12.42	48120	13.16

To : Evaporating temperature in [°C]
Tc : Condensing temperature in [°C]
Qo : Cooling Capacity in [W]
Pe : Power input in [kW]
Subcooling : 0 K
Superheat : 10 K
Voltage : 400 V / 3 / 50 Hz

MTZ - R448A - Reciprocating compressors - 60 Hz

Nominal performance data

Compressor model	To	-30		-25		-20		-15		-10		-5		0		5		10	
	Tc	Qo	Pe	Qo	Pe	Qo	Pe	Qo	Pe	Qo	Pe	Qo	Pe	Qo	Pe	Qo	Pe	Qo	Pe
MTZ018	45	310	0.58	660	0.76	1080	0.94	1590	1.10	2210	1.24	2930	1.37	3790	1.47	4780	1.54	5920	1.58
MTZ022	45	950	1.02	1330	1.18	1790	1.33	2370	1.49	3090	1.64	3980	1.79	5070	1.92	6380	2.04	7940	2.15
MTZ028	45	1180	1.26	1640	1.45	2220	1.64	2930	1.84	3820	2.02	4920	2.20	6260	2.37	7880	2.52	9810	2.64
MTZ032	45	1300	1.32	1860	1.56	2540	1.79	3370	2.02	4390	2.25	5640	2.46	7150	2.66	8960	2.84	11100	3.00
MTZ036	45	1410	1.52	2070	1.82	2880	2.11	3880	2.41	5100	2.69	6550	2.95	8280	3.19	10310	3.41	12660	3.60
MTZ040	45	1600	1.79	2350	2.13	3290	2.47	4450	2.81	5850	3.14	7530	3.45	9520	3.74	11840	3.99	14530	4.21
MTZ044	45	1360	1.61	2190	1.97	3210	2.32	4470	2.66	6010	2.98	7880	3.28	10120	3.53	12780	3.75	15890	3.91
MTZ050	45	1510	1.71	2460	2.16	3630	2.61	5070	3.05	6840	3.45	8980	3.81	11550	4.12	14580	4.37	18130	4.54
MTZ056	45	1670	1.89	2730	2.39	4040	2.88	5640	3.35	7610	3.79	9990	4.19	12830	4.54	16210	4.81	20160	5.00
MTZ064	45	2090	2.25	3270	2.80	4760	3.34	6580	3.86	8800	4.35	11450	4.79	14580	5.17	18250	5.48	22490	5.70
MTZ072	45	2400	2.60	3770	3.25	5480	3.87	7580	4.48	10120	5.04	13180	5.55	16790	5.99	21010	6.35	25890	6.62
MTZ080	45	3410	3.39	4960	4.04	6870	4.69	9200	5.34	12010	5.96	15360	6.53	19310	7.06	23920	7.52	29250	7.89
MTZ100	45	3330	3.91	5110	4.69	7350	5.47	10140	6.23	13570	6.95	17740	7.61	22720	8.18	28620	8.65	35510	8.99
MTZ125	45	4490	4.77	6870	5.87	9880	6.96	13640	8.00	18260	8.97	23860	9.83	30560	10.54	38460	11.08	47700	11.42
MTZ144	45	6190	6.03	8920	7.21	12240	8.32	16260	9.37	21080	10.36	26790	11.30	33510	12.19	41330	13.04	50350	13.86
MTZ160	45	7080	6.91	10230	8.24	14050	9.51	18650	10.71	24170	11.85	30720	12.92	38420	13.95	47390	14.91	57750	15.83

To : Evaporating temperature in [°C]
Tc : Condensing temperature in [°C]
Qo : Cooling Capacity in [W]
Pe : Power input in [kW]
Subcooling : 0 K
Superheat : 10 K
Voltage : 460 V / 3 / 60 Hz



For more information and performance with other refrigerants, please refer to Coolselector® 2 at coolselector.danfoss.com or contact Danfoss.

Technical data and ordering

MTZ - R449A - Reciprocating compressors - 50 Hz

Nominal performance data

Compressor model	To	-30		-25		-20		-15		-10		-5		0		5		10	
	Tc	Qo	Pe	Qo	Pe	Qo	Pe	Qo	Pe	Qo	Pe	Qo	Pe	Qo	Pe	Qo	Pe	Qo	Pe
MTZ018	45	260	0.48	550	0.64	900	0.78	1330	0.92	1840	1.04	2440	1.14	3160	1.22	3980	1.28	4930	1.32
MTZ022	45	790	0.85	1110	0.98	1500	1.11	1980	1.24	2580	1.37	3320	1.49	4220	1.60	5310	1.70	6610	1.79
MTZ028	45	980	1.05	1370	1.21	1850	1.37	2440	1.53	3180	1.69	4100	1.84	5210	1.97	6560	2.10	8170	2.20
MTZ032	45	1080	1.10	1550	1.30	2110	1.49	2810	1.68	3660	1.87	4700	2.05	5960	2.22	7470	2.37	9250	2.50
MTZ036	45	1180	1.27	1720	1.51	2400	1.76	3240	2.00	4250	2.24	5460	2.46	6900	2.66	8590	2.84	10550	3.00
MTZ040	45	1340	1.49	1960	1.77	2740	2.06	3710	2.34	4880	2.62	6280	2.88	7930	3.12	9870	3.33	12110	3.50
MTZ044	45	1130	1.34	1820	1.64	2670	1.94	3720	2.22	5010	2.49	6570	2.73	8430	2.95	10650	3.12	13240	3.26
MTZ050	45	1250	1.43	2050	1.80	3020	2.18	4230	2.54	5700	2.87	7490	3.18	9620	3.44	12150	3.64	15110	3.78
MTZ056	45	1390	1.57	2280	1.99	3360	2.40	4700	2.79	6340	3.16	8320	3.50	10690	3.78	13500	4.01	16800	4.16
MTZ064	45	1740	1.87	2730	2.33	3960	2.78	5480	3.22	7330	3.62	9540	3.99	12150	4.30	15210	4.56	18740	4.75
MTZ072	45	2000	2.17	3140	2.70	4560	3.23	6310	3.73	8440	4.20	10980	4.62	13990	4.99	17510	5.29	21580	5.52
MTZ080	45	2840	2.82	4140	3.36	5730	3.91	7670	4.45	10010	4.97	12800	5.45	16090	5.89	19930	6.27	24380	6.57
MTZ100	45	2770	3.28	4250	3.91	6120	4.55	8450	5.19	11310	5.79	14780	6.34	18940	6.82	23850	7.21	29600	7.49
MTZ125	45	3740	4.19	5720	5.01	8230	5.85	11370	6.67	15220	7.44	19890	8.15	25470	8.77	32060	9.26	39760	9.60
MTZ144	45	5150	5.02	7430	6.01	10210	6.93	13550	7.81	17560	8.63	22320	9.42	27920	10.16	34430	10.86	41960	11.54
MTZ160	45	5890	5.80	8530	6.88	11710	7.93	15550	8.92	20140	9.87	25590	10.77	32010	11.62	39480	12.42	48120	13.16

To: Evaporating temperature in [°C]
Tc: Condensing temperature in [°C]
Qo: Cooling Capacity in [W]
Pe: Power input in [kW]
Subcooling: 0 K
Superheat: 10 K
Voltage: 400 V/3/50 Hz

MTZ - R449A - Reciprocating compressors - 60 Hz

Nominal performance data

Compressor model	To	-30		-25		-20		-15		-10		-5		0		5		10	
	Tc	Qo	Pe	Qo	Pe	Qo	Pe	Qo	Pe	Qo	Pe	Qo	Pe	Qo	Pe	Qo	Pe	Qo	Pe
MTZ018	45	310	0.58	660	0.76	1080	0.94	1590	1.10	2210	1.24	2930	1.37	3790	1.47	4780	1.54	5920	1.58
MTZ022	45	950	1.02	1330	1.18	1790	1.33	2370	1.49	3090	1.64	3980	1.79	5070	1.92	6380	2.04	7940	2.15
MTZ028	45	1180	1.26	1640	1.45	2220	1.64	2930	1.84	3820	2.02	4920	2.20	6260	2.37	7880	2.52	9810	2.64
MTZ032	45	1300	1.32	1860	1.56	2540	1.79	3370	2.02	4390	2.25	5640	2.46	7150	2.66	8960	2.84	11100	3.00
MTZ036	45	1410	1.52	2070	1.82	2880	2.11	3880	2.41	5100	2.69	6550	2.95	8280	3.19	10310	3.41	12660	3.60
MTZ040	45	1600	1.79	2350	2.13	3290	2.47	4450	2.81	5850	3.14	7530	3.45	9520	3.74	11840	3.99	14530	4.21
MTZ044	45	1360	1.61	2190	1.97	3210	2.32	4470	2.66	6010	2.98	7880	3.28	10120	3.53	12780	3.75	15890	3.91
MTZ050	45	1510	1.71	2460	2.16	3630	2.61	5070	3.05	6840	3.45	8980	3.81	11550	4.12	14580	4.37	18130	4.54
MTZ056	45	1670	1.89	2730	2.39	4040	2.88	5640	3.35	7610	3.79	9990	4.19	12830	4.54	16210	4.81	20160	5.00
MTZ064	45	2090	2.25	3270	2.80	4760	3.34	6580	3.86	8800	4.35	11450	4.79	14580	5.17	18250	5.48	22490	5.70
MTZ072	45	2400	2.60	3770	3.25	5480	3.87	7580	4.48	10120	5.04	13180	5.55	16790	5.99	21010	6.35	25890	6.62
MTZ080	45	3410	3.39	4960	4.04	6870	4.69	9200	5.34	12010	5.96	15360	6.53	19310	7.06	23920	7.52	29250	7.89
MTZ100	45	3330	3.91	5110	4.69	7350	5.47	10140	6.23	13570	6.95	17740	7.61	22720	8.18	28620	8.65	35510	8.99
MTZ125	45	4490	4.77	6870	5.87	9880	6.96	13640	8.00	18260	8.97	23860	9.83	30560	10.54	38460	11.08	47700	11.42
MTZ144	45	6190	6.03	8920	7.21	12240	8.32	16260	9.37	21080	10.36	26790	11.30	33510	12.19	41330	13.04	50350	13.86
MTZ160	45	7080	6.91	10230	8.24	14050	9.51	18650	10.71	24170	11.85	30720	12.92	38420	13.95	47390	14.91	57750	15.83

To: Evaporating temperature in [°C]
Tc: Condensing temperature in [°C]
Qo: Cooling Capacity in [W]
Pe: Power input in [kW]
Subcooling: 0 K
Superheat: 10 K
Voltage: 460 V/3/60 Hz



For more information and performance with other refrigerants, please refer to Coolselector® 2 at coolselector.danfoss.com or contact Danfoss.

Technical data and ordering

MTZ - R452A - Reciprocating compressors - 50 Hz

Nominal performance data

Compressor model	To	-30		-25		-20		-15		-10		-5		0		5		10	
	Tc	Qo	Pe	Qo	Pe	Qo	Pe	Qo	Pe	Qo	Pe	Qo	Pe	Qo	Pe	Qo	Pe	Qo	Pe
MTZ018	45	410	0.56	700	0.73	1050	0.89	1480	1.03	2000	1.15	2610	1.24	3340	1.32	4190	1.37	5180	1.39
MTZ022	45	790	0.91	1160	1.07	1610	1.22	2150	1.37	2810	1.51	3580	1.63	4490	1.73	5560	1.81	6780	1.87
MTZ028	45	1210	1.23	1560	1.39	2000	1.55	2550	1.70	3250	1.86	4130	2.00	5210	2.14	6520	2.26	8100	2.36
MTZ032	45	1100	1.18	1590	1.42	2190	1.65	2910	1.86	3790	2.06	4830	2.24	6070	2.40	7530	2.54	9220	2.65
MTZ036	45	1450	1.48	1960	1.75	2580	2.00	3350	2.25	4300	2.48	5440	2.69	6810	2.88	8430	3.04	10330	3.18
MTZ040	45	1670	1.72	2290	2.04	3040	2.34	3960	2.63	5090	2.89	6450	3.14	8070	3.36	10000	3.55	12250	3.71
MTZ044	45	1370	1.58	2100	1.91	2990	2.21	4060	2.49	5370	2.73	6920	2.96	8770	3.16	10940	3.34	13460	3.50
MTZ050	45	1520	1.65	2360	2.09	3370	2.49	4610	2.84	6110	3.16	7890	3.44	10000	3.68	12480	3.89	15340	4.07
MTZ056	45	1690	1.84	2620	2.31	3750	2.74	5130	3.13	6790	3.47	8780	3.78	11120	4.06	13870	4.29	17060	4.48
MTZ064	45	2100	2.17	3160	2.71	4440	3.19	5990	3.60	7840	3.98	10030	4.31	12610	4.61	15610	4.88	19060	5.13
MTZ072	45	2410	2.53	3630	3.15	5110	3.69	6890	4.18	9020	4.61	11550	4.99	14520	5.34	17970	5.66	21950	5.95
MTZ080	45	3090	3.18	4320	3.78	5800	4.32	7570	4.81	9680	5.26	12180	5.67	15100	6.07	18500	6.45	22410	6.82
MTZ100	45	3330	3.77	4990	4.50	6990	5.19	9410	5.81	12310	6.37	15770	6.87	19880	7.29	24690	7.65	30280	7.93
MTZ125	45	4340	4.76	6500	5.75	9110	6.66	12270	7.47	16070	8.19	20600	8.83	25940	9.37	32190	9.83	39440	10.20
MTZ144	45	6060	5.56	8270	6.89	10920	7.96	14080	8.84	17830	9.58	22250	10.23	27430	10.84	33440	11.48	40370	12.19
MTZ160	45	6730	6.92	9220	8.04	12180	9.05	15700	9.96	19880	10.80	24810	11.61	30580	12.41	37290	13.24	45040	14.12

To: Evaporating temperature in [°C]
Tc: Condensing temperature in [°C]
Qo: Cooling Capacity in [W]
Pe: Power input in [kW]
Subcooling: 0 K
Superheat: 10 K
Voltage: 400 V/3/50 Hz

MTZ - R452A - Reciprocating compressors - 60 Hz

Nominal performance data

Compressor model	To	-30		-25		-20		-15		-10		-5		0		5		10	
	Tc	Qo	Pe	Qo	Pe	Qo	Pe	Qo	Pe	Qo	Pe	Qo	Pe	Qo	Pe	Qo	Pe	Qo	Pe
MTZ018	45	490	0.67	840	0.88	1260	1.07	1780	1.23	2390	1.38	3130	1.49	4010	1.58	5030	1.64	6220	1.67
MTZ022	45	950	1.09	1390	1.28	1930	1.47	2580	1.65	3370	1.81	4300	1.96	5390	2.08	6670	2.18	8140	2.24
MTZ028	45	1450	1.48	1870	1.67	2400	1.86	3060	2.04	3900	2.23	4950	2.40	6250	2.57	7830	2.71	9730	2.83
MTZ032	45	1320	1.42	1910	1.71	2620	1.98	3490	2.24	4540	2.47	5800	2.69	7290	2.88	9040	3.04	11070	3.17
MTZ036	45	1730	1.78	2350	2.10	3100	2.40	4020	2.70	5160	2.97	6530	3.23	8170	3.45	10110	3.65	12390	3.81
MTZ040	45	2010	2.07	2750	2.45	3650	2.81	4760	3.15	6110	3.47	7740	3.77	9690	4.03	12000	4.26	14700	4.46
MTZ044	45	1640	1.89	2520	2.29	3580	2.66	4880	2.98	6440	3.28	8310	3.55	10520	3.79	13120	4.01	16150	4.20
MTZ050	45	1830	1.98	2830	2.51	4050	2.99	5540	3.41	7330	3.79	9470	4.13	12010	4.42	14970	4.67	18410	4.88
MTZ056	45	2030	2.21	3150	2.77	4500	3.29	6160	3.75	8150	4.17	10530	4.54	13350	4.87	16650	5.14	20480	5.38
MTZ064	45	2520	2.61	3790	3.25	5330	3.82	7190	4.33	9410	4.77	12040	5.17	15130	5.53	18730	5.85	22880	6.15
MTZ072	45	2900	3.04	4360	3.78	6130	4.43	8270	5.01	10830	5.53	13860	5.99	17420	6.41	21560	6.79	26340	7.14
MTZ080	45	3700	3.81	5180	4.53	6960	5.18	9080	5.77	11620	6.31	14610	6.81	18120	7.28	22200	7.74	26890	8.18
MTZ100	45	3990	4.52	5990	5.41	8390	6.22	11290	6.97	14770	7.65	18930	8.24	23850	8.75	29620	9.18	36340	9.52
MTZ125	45	5210	5.71	7790	6.90	10930	7.99	14720	8.96	19280	9.83	24720	10.59	31130	11.25	38630	11.79	47330	12.24
MTZ144	45	7270	6.67	9930	8.26	13100	9.55	16890	10.61	21390	11.50	26700	12.27	32920	13.01	40130	13.77	48440	14.62
MTZ160	45	8070	8.30	11060	9.65	14620	10.86	18840	11.95	23860	12.96	29770	13.93	36700	14.89	44750	15.89	54040	16.95

To: Evaporating temperature in [°C]
Tc: Condensing temperature in [°C]
Qo: Cooling Capacity in [W]
Pe: Power input in [kW]
Subcooling: 0 K
Superheat: 10 K
Voltage: 460 V/3/60 Hz



For more information and performance with other refrigerants, please refer to Coolselector® 2 at coolselector.danfoss.com or contact Danfoss.

Technical data and ordering

MTZ - R513A - Reciprocating compressors - 50 Hz

Nominal performance data

Compressor model	To	-30		-25		-20		-15		-10		-5		0		5		10	
	Tc	Qo	Pe	Qo	Pe	Qo	Pe	Qo	Pe	Qo	Pe	Qo	Pe	Qo	Pe	Qo	Pe	Qo	Pe
MTZ018	45	340	0.42	570	0.54	840	0.64	1180	0.74	1590	0.81	2080	0.87	2670	0.91	3370	0.92	4180	0.91
MTZ022	45	530	0.56	790	0.67	1130	0.78	1550	0.88	2070	0.97	2700	1.05	3450	1.11	4350	1.15	5400	1.17
MTZ028	45	690	0.76	1020	0.89	1430	1.02	1950	1.14	2590	1.25	3360	1.35	4280	1.43	5370	1.49	6640	1.53
MTZ032	45	800	0.81	1210	0.97	1710	1.13	2320	1.27	3060	1.40	3940	1.52	4980	1.62	6190	1.69	7590	1.75
MTZ036	45	880	0.91	1370	1.13	1960	1.32	2670	1.47	3520	1.61	4540	1.72	5740	1.82	7150	1.91	8780	2.00
MTZ040	45	1190	1.24	1720	1.44	2370	1.62	3170	1.78	4140	1.94	5300	2.08	6670	2.22	8280	2.35	10130	2.48
MTZ044	45	970	1.02	1540	1.26	2270	1.48	3180	1.68	4300	1.85	5630	1.99	7220	2.10	9090	2.17	11240	2.20
MTZ050	45	1350	1.25	1950	1.48	2690	1.70	3620	1.90	4770	2.08	6170	2.24	7850	2.36	9860	2.45	12220	2.49
MTZ056	45	1300	1.31	1930	1.57	2760	1.81	3820	2.05	5140	2.26	6740	2.45	8650	2.61	10900	2.74	13520	2.83
MTZ064	45	1500	1.47	2250	1.77	3210	2.06	4420	2.34	5900	2.59	7700	2.82	9840	3.01	12360	3.17	15300	3.29
MTZ072	45	1850	1.78	2670	2.09	3720	2.40	5040	2.69	6670	2.98	8650	3.24	11020	3.47	13810	3.67	17080	3.84
MTZ080	45	2080	2.03	2990	2.40	4190	2.75	5700	3.09	7580	3.41	9850	3.71	12570	4.00	15760	4.28	19470	4.54
MTZ100	45	2570	2.64	3800	3.10	5300	3.52	7150	3.91	9410	4.26	12140	4.57	15420	4.83	19310	5.04	23890	5.18
MTZ125	45	3860	3.32	5400	3.83	7290	4.33	9610	4.81	12480	5.27	15970	5.70	20190	6.11	25240	6.48	31220	6.82
MTZ144	45	4390	3.86	6110	4.46	8290	5.04	11000	5.60	14310	6.13	18290	6.64	23010	7.12	28540	7.57	34950	7.99
MTZ160	45	5030	4.36	7000	5.06	9460	5.73	12490	6.38	16160	7.01	20560	7.61	25750	8.20	31830	8.76	38860	9.31

To: Evaporating temperature in [°C]
Tc: Condensing temperature in [°C]
Qo: Cooling Capacity in [W]
Pe: Power input in [kW]
Subcooling: 0 K
Superheat: 10 K
Voltage: 400 V/3/50 Hz

MTZ - R513A - Reciprocating compressors - 60 Hz

Nominal performance data

Compressor model	To	-30		-25		-20		-15		-10		-5		0		5		10	
	Tc	Qo	Pe	Qo	Pe	Qo	Pe	Qo	Pe	Qo	Pe	Qo	Pe	Qo	Pe	Qo	Pe	Qo	Pe
MTZ018	45	420	0.50	690	0.64	1040	0.76	1460	0.87	1980	0.96	2600	1.04	3330	1.10	4190	1.14	5180	1.16
MTZ022	45	630	0.65	990	0.82	1440	0.97	1980	1.11	2620	1.23	3400	1.33	4300	1.41	5360	1.46	6590	1.48
MTZ028	45	850	0.88	1320	1.08	1880	1.25	2560	1.41	3360	1.55	4310	1.67	5420	1.76	6700	1.84	8180	1.90
MTZ032	45	990	0.97	1560	1.21	2230	1.42	3020	1.60	3960	1.77	5050	1.90	6330	2.02	7800	2.12	9480	2.20
MTZ036	45	1050	1.12	1630	1.39	2330	1.61	3170	1.80	4190	1.96	5390	2.10	6820	2.22	8500	2.33	10440	2.44
MTZ040	45	1410	1.40	2020	1.65	2800	1.88	3760	2.08	4930	2.28	6340	2.47	8000	2.66	9940	2.87	12190	3.09
MTZ044	45	1270	1.27	1920	1.55	2770	1.81	3850	2.04	5190	2.26	6810	2.44	8750	2.60	11020	2.73	13660	2.83
MTZ050	45	1630	1.57	2340	1.85	3240	2.12	4360	2.38	5740	2.61	7430	2.80	9450	2.96	11870	3.07	14710	3.12
MTZ056	45	1570	1.58	2470	1.97	3590	2.31	4970	2.63	6620	2.90	8590	3.14	10910	3.35	13620	3.53	16750	3.68
MTZ064	45	1670	1.74	2740	2.21	4020	2.63	5570	2.99	7430	3.31	9610	3.58	12180	3.82	15160	4.03	18590	4.21
MTZ072	45	2330	2.17	3450	2.62	4810	3.04	6450	3.42	8420	3.78	10760	4.10	13510	4.39	16720	4.65	20430	4.86
MTZ080	45	2690	2.53	4040	3.07	5630	3.55	7520	3.99	9750	4.38	12360	4.75	15400	5.08	18900	5.39	22920	5.69
MTZ100	45	3060	3.02	4560	3.66	6440	4.24	8760	4.76	11560	5.22	14920	5.61	18880	5.95	23510	6.23	28860	6.46
MTZ125	45	4630	3.96	6670	4.75	9130	5.45	12070	6.09	15580	6.66	19730	7.18	24580	7.67	30220	8.14	36720	8.58
MTZ144	45	5480	4.73	7770	5.58	10510	6.34	13810	7.03	17720	7.67	22350	8.27	27770	8.86	34060	9.45	41310	10.07
MTZ160	45	6670	5.32	9010	6.39	11880	7.30	15380	8.11	19580	8.84	24590	9.56	30500	10.29	37380	11.07	45340	11.97

To: Evaporating temperature in [°C]
Tc: Condensing temperature in [°C]
Qo: Cooling Capacity in [W]
Pe: Power input in [kW]
Subcooling: 0 K
Superheat: 10 K
Voltage: 460 V/3/60 Hz



For more information and performance with other refrigerants, please refer to Coolselector® 2 at coolselector.danfoss.com or contact Danfoss.

Technical data and ordering

NTZ - R404A - Reciprocating compressors - 50 Hz

Nominal performance data

Compressor model	To	-40		-35		-30		-25		-20		-15		-10	
	Tc	Qo	Pe	Qo	Pe	Qo	Pe	Qo	Pe	Qo	Pe	Qo	Pe	Qo	Pe
NTZ048	45	420	0.59	710	0.84	1070	1.09	1700	1.34	2240	1.57	2860	1.79	3570	1.99
NTZ068	45	870	1.28	1290	1.54	1810	1.81	2790	2.09	3570	2.38	4490	2.68	5540	2.99
NTZ096	45	910	1.29	1420	1.67	2090	2.09	3360	2.53	4510	2.99	5900	3.48	7550	3.97
NTZ108	45	1120	1.57	1770	2.03	2590	2.49	4080	2.95	5340	3.40	6820	3.85	8530	4.29
NTZ136	45	1570	2.27	2360	2.86	3350	3.47	5200	4.08	6750	4.69	8570	5.29	10710	5.87
NTZ215	45	2220	3.23	3530	4.10	5120	5.00	8020	5.91	10430	6.81	13210	7.68	16420	8.49
NTZ271	45	3460	4.60	5140	5.65	7200	6.73	11040	7.82	14170	8.92	17790	10.03	21970	11.13

To : Evaporating temperature in [°C]

Tc : Condensing temperature in [°C]

Qo : Cooling Capacity in [W]

Pe : Power input in [kW]

Subcooling : 0 K

Superheat : 10 K

Voltage : 400 V / 3 / 50 Hz

NTZ - R404A - Reciprocating compressors - 60 Hz

Nominal performance data

Compressor model	To	-40		-35		-30		-25		-20		-15		-10	
	Tc	Qo	Pe	Qo	Pe	Qo	Pe	Qo	Pe	Qo	Pe	Qo	Pe	Qo	Pe
NTZ048	45	500	0.71	850	1.02	1270	1.33	2040	1.62	2690	1.89	3440	2.13	4310	2.33
NTZ068	45	1020	1.51	1530	1.82	2140	2.14	3290	2.47	4220	2.81	5290	3.16	6530	3.53
NTZ096	45	890	1.40	1630	1.96	2550	2.54	4160	3.12	5560	3.70	7190	4.24	9050	4.75
NTZ108	45	1240	2.04	2040	2.51	3030	3.04	4860	3.62	6440	4.24	8290	4.88	10460	5.53
NTZ136	45	1690	2.65	2720	3.31	3970	4.03	6260	4.80	8170	5.60	10380	6.44	12920	7.31
NTZ215	45	2640	3.74	4170	4.81	6050	5.91	9480	7.01	12320	8.09	15600	9.11	19380	10.05
NTZ271	45	4090	5.44	6070	6.68	8500	7.94	13040	9.21	16740	10.50	21050	11.80	26010	13.10

To : Evaporating temperature in [°C]

Tc : Condensing temperature in [°C]

Qo : Cooling Capacity in [W]

Pe : Power input in [kW]

Subcooling : 0 K

Superheat : 10 K

Voltage : 460 V / 3 / 60 Hz



For more information and performance with other refrigerants, please refer to Coolselector * 2 at coolselector.danfoss.com or contact Danfoss.

Technical data and ordering

NTZ - R452A - Reciprocating compressors - 50 Hz

Nominal performance data

Compressor model	To	-40		-35		-30		-25		-20		-15		-10	
	Tc	Qo	Pe	Qo	Pe	Qo	Pe	Qo	Pe	Qo	Pe	Qo	Pe	Qo	Pe
NTZ048	45	520	0.70	760	0.87	1080	1.06	1660	1.26	2190	1.47	2830	1.69	3580	1.91
NTZ068	45	840	1.16	1260	1.33	1790	1.54	2730	1.79	3540	2.12	4490	2.53	5600	3.04
NTZ096	45	1020	1.28	1540	1.62	2220	1.99	3450	2.39	4580	2.79	5930	3.20	7520	3.59
NTZ108	45	1430	1.71	2030	2.06	2790	2.43	4200	2.82	5440	3.23	6930	3.66	8680	4.10
NTZ136	45	1810	2.27	2560	2.79	3530	3.32	5310	3.87	6870	4.43	8740	5.00	10960	5.60
NTZ215	45	2370	3.24	3580	3.99	5080	4.77	7760	5.57	10110	6.38	12900	7.20	16160	8.02
NTZ271	45	2990	3.81	4660	4.87	6690	5.97	10230	7.10	13300	8.22	16890	9.32	21060	10.38

To : Evaporating temperature in [°C]

Tc : Condensing temperature in [°C]

Qo : Cooling Capacity in [W]

Pe : Power input in [kW]

Subcooling : 0 K

Superheat : 10 K

Voltage : 400 V/3/50 Hz

NTZ - R452A - Reciprocating compressors - 60 Hz

Nominal performance data

Compressor model	To	0		-35		-30		-25		-20		-15		-10	
	Tc	Qo	Pe	Qo	Pe	Qo	Pe	Qo	Pe	Qo	Pe	Qo	Pe	Qo	Pe
NTZ048	45	650	0.84	950	1.04	1350	1.26	2070	1.51	2730	1.76	3530	2.02	4470	2.29
NTZ068	45	960	1.36	1450	1.56	2060	1.80	3130	2.10	4060	2.49	5160	2.97	6420	3.57
NTZ096	45	1250	1.59	1880	2.01	2720	2.48	4230	2.97	5620	3.47	7270	3.97	9220	4.46
NTZ108	45	1720	2.10	2440	2.53	3360	2.99	5060	3.47	6560	3.97	8350	4.50	10450	5.04
NTZ136	45	2170	2.73	3080	3.35	4240	3.99	6390	4.64	8270	5.31	10520	6.01	13190	6.73
NTZ215	45	3020	3.90	4550	4.95	6450	5.97	9840	6.96	12820	7.95	16350	8.94	20480	9.97
NTZ271	45	3780	4.93	5880	6.31	8450	7.74	12920	9.19	16800	10.64	21330	12.07	26600	13.44

To : Evaporating temperature in [°C]

Tc : Condensing temperature in [°C]

Qo : Cooling Capacity in [W]

Pe : Power input in [kW]

Subcooling : 0 K

Superheat : 10 K

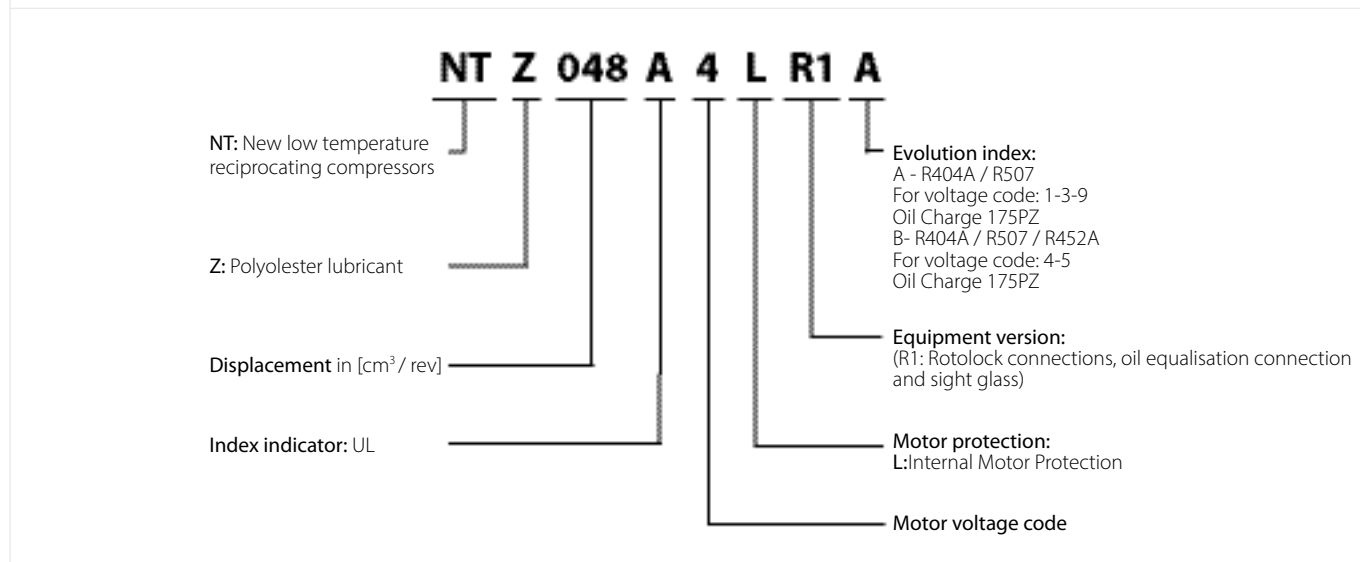
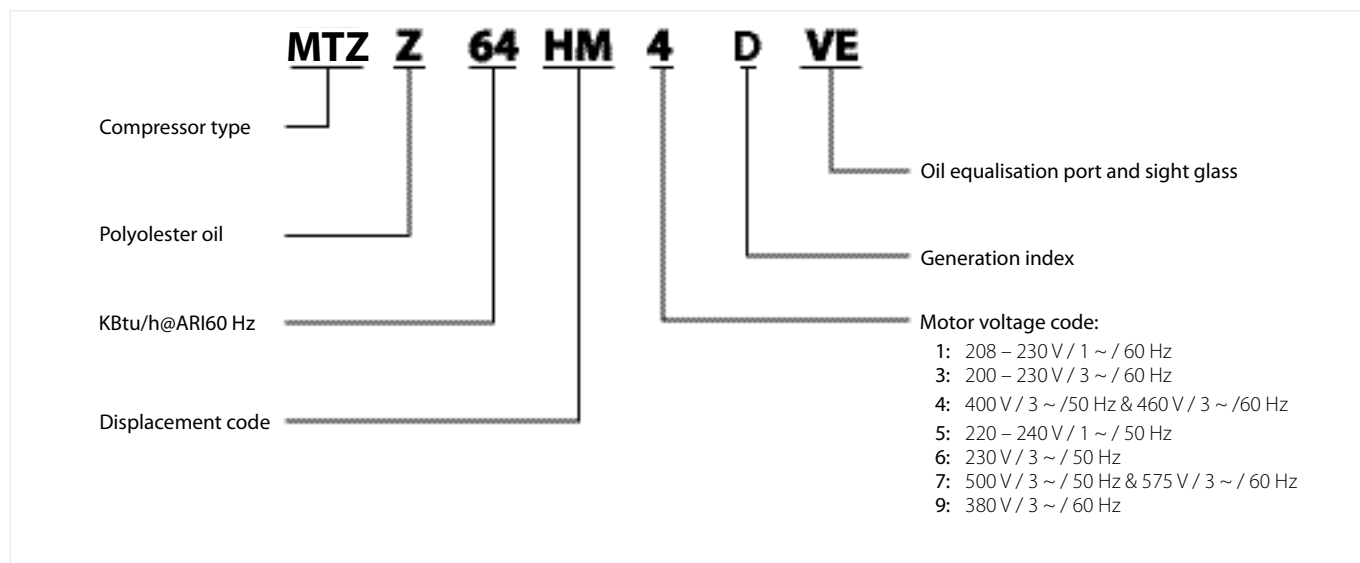
Voltage : 460 V/3/60 Hz



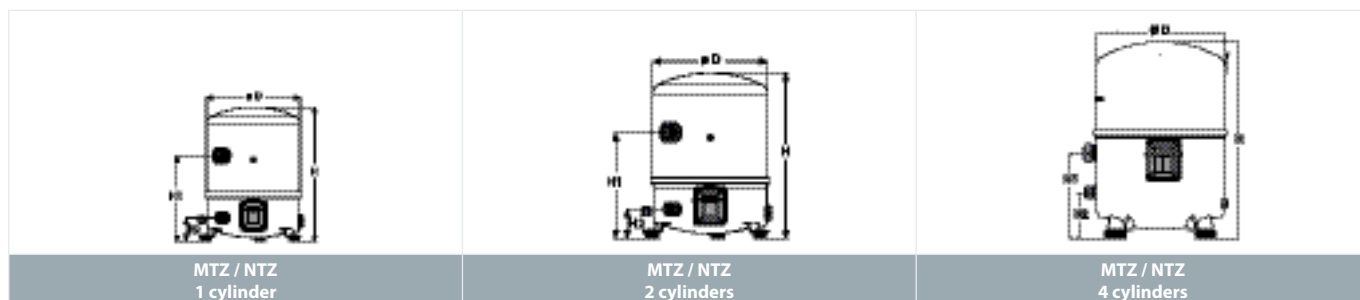
For more information and performance with other refrigerants, please refer to Coolselector® 2 at coolselector.danfoss.com or contact Danfoss.

Nomenclature and Dimensions

Nomenclature



Please consult Danfoss for motor version available



Single compressors [mm]

Type	D	H	H1	H2
1 cylinder	224	333 / 358	263	68
2 cylinders	288	413	265	74
4 cylinders	352	519 / 540	233	128