

Life Is On

eliwellTM
by Schneider Electric



RV range 4-Way Reversing Valves

- > Compatible with flammable refrigerant gases
- > Certificated PED European directive 2014/68 / EU category 2 module D1
- > UL and European Approvals

www.eliwell.com

Applications

The RV 4-way reversing valves are the key component to provide heating and cooling in a climate controlled space by reversing the refrigerant. They are used for air conditioning individual rooms, centralized air conditioning plants, monobloc air conditioners and CR units for defrosting applications.

Reversing valves are designed for systems with capacities from 1 kW up to 265 kW.

All the valves are suitable for use with HC, HCFC, HFC and HFO refrigerants, including A2L.

The design of the valve also guarantees minimum pressure drop and very low leakage. The available models offer a wide range of connections, configurations and capacities for specific applications.

All models are individually packaged to ensure maximum flexibility for purchasing and usage.

List of permitted refrigerants:

R407C / R410A / R404A / R134a / R22 / R32 / R1234yf / R1234ze / R452B / R450A / R445A / R454A / R454B / R454C / R455A / R1233zd / R1336mzz / R290



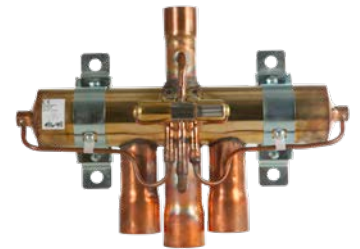
Direct action models

Part number	Description Pipe size (inches)	CAPACITY 1 MIN. - MAX.					Layout	Port (Ø)	Weight (kg)	Master Carton
		R407C	R410A	R134a	R32	R290				
		kW (US Ton) min./max.	kW (US Ton) min./max.	kW (US Ton) min./max.	kW (US Ton) min./max.	kW (US Ton) min./max.				
RV00BD06050000	REV VALVE 0.5 UST 3/8 - 5/16 U DISCH	1.32 / 3.1 (0.38/ 0.88)	1.53 / 3.86 (0.44/ 1.1)	1.13 / 2.38 (0.32/ 0.68)	1.65 / 4.25 (0.47/ 1.21)	1.29 / 3.33 (0.37/ 0.95)	B	8	0.193	45
RV01AD06060000	REV VALVE 1 UST 3/8 - 3/8	1.39 / 4.62 (0.4/ 1.31)	1.73 / 6.01 (0.49/ 1.71)	1.39 / 3.91 (0.4/ 1.11)	1.87 / 6.61 (0.53/ 1.88)	1.48 / 5.17 (0.42/ 1.47)	A	11.1	0.19	18
RV01AD06050000	REV VALVE 1 UST 3/8 - 5/16	1.39 / 4.62 (0.4/ 1.31)	1.73 / 6.01 (0.49/ 1.71)	1.39 / 3.91 (0.4/ 1.11)	1.87 / 6.61 (0.53/ 1.88)	1.48 / 5.17 (0.42/ 1.47)	A	11.1	0.25	18
RV01AD08050000	REV VALVE 1 UST 1/2 - 5/16	1.39 / 4.62 (0.4/ 1.31)	1.73 / 6.01 (0.49/ 1.71)	1.39 / 3.91 (0.4/ 1.11)	1.87 / 6.61 (0.53/ 1.88)	1.48 / 5.17 (0.42/ 1.47)	B	11.1	0.27	18
RV01BD06050000	REV VALVE 1 UST 3/8 - 5/16 U DISCH	1.39 / 4.62 (0.4/ 1.31)	1.73 / 6.01 (0.49/ 1.71)	1.39 / 3.91 (0.4/ 1.11)	1.87 / 6.61 (0.53/ 1.88)	1.48 / 5.17 (0.42/ 1.47)	B	11.1	0.19	18
RV01BD06060000	REV VALVE 1 UST 3/8 - 3/8 U DISCH	1.39 / 4.62 (0.4/ 1.31)	1.73 / 6.01 (0.49/ 1.71)	1.39 / 3.91 (0.4/ 1.11)	1.87 / 6.61 (0.53/ 1.88)	1.48 / 5.17 (0.42/ 1.47)	A	11.1	0.19	18
RV01AD08060000	REV VALVE 1 UST 1/2 - 3/8	1.39 / 4.62 (0.4/ 1.31)	1.73 / 6.01 (0.49/ 1.71)	1.39 / 3.91 (0.4/ 1.11)	1.87 / 6.61 (0.53/ 1.88)	1.48 / 5.17 (0.42/ 1.47)	A	11.1	0.19	18
RV01BD08060000	REV VALVE 1 UST 1/2 - 3/8 U DISCH	1.39 / 4.62 (0.4/ 1.31)	1.73 / 6.01 (0.49/ 1.71)	1.39 / 3.91 (0.4/ 1.11)	1.87 / 6.61 (0.53/ 1.88)	1.48 / 5.17 (0.42/ 1.47)	A	11.1	0.28	18
RV02AD08060000	REV VALVE 2 UST 1/2 - 3/8	2.79 / 6.35 (0.79/ 1.81)	3.17 / 7.7 (0.9/ 2.19)	2.44 / 4.95 (0.69/ 1.41)	3.42 / 8.47 (0.97/ 2.41)	2.76 / 6.65 (0.79/ 1.89)	B	11.1	0.28	18
RV02BD08060000	REV VALVE 2 UST 1/2 - 3/8 U DISCH	2.79 / 6.35 (0.79/ 1.81)	3.17 / 7.7 (0.9/ 2.19)	2.44 / 4.95 (0.69/ 1.41)	3.42 / 8.47 (0.97/ 2.41)	2.76 / 6.65 (0.79/ 1.89)	C	11.1	0.28	18
RV02CD10060000	REV VALVE 2 UST 5/8 - 3/8	3.85 / 7.1 (1.09/ 2.02)	4.54 / 8.81 (1.29/ 2.5)	3.14 / 5.63 (0.89/ 1.6)	4.9 / 9.69 (1.39/ 2.76)	3.69 / 7.76 (1.05/ 2.21)	D	11.1	0.30	18
RV02DD10060000	REV VALVE 2 UST 5/8 - 3/8 U DISCH	3.85 / 7.1 (1.09/ 2.02)	4.54 / 8.81 (1.29/ 2.5)	3.14 / 5.63 (0.89/ 1.6)	4.9 / 9.69 (1.39/ 2.76)	3.7 / 7.76 (1.05/ 2.21)	E	11.5	0.32	12
RV03ED10080000	REV VALVE 3 UST 5/8 - 1/2	3.85 / 9.55 (1.09/ 2.72)	4.54 / 11.98 (1.29/ 3.41)	3.14 / 7.42 (0.89/ 2.11)	4.9 / 13.18 (1.39/ 3.75)	3.7 / 10.34 (1.05/ 2.94)	E	11.5	0.35	12
RV03ED12080000	REV VALVE 3 UST 3/4 - 1/2	3.85 / 9.9 (1.09/ 2.81)	4.54 / 12.35 (1.29/ 3.51)	3.14 / 7.78 (0.89/ 2.21)	4.9 / 13.59 (1.39/ 3.86)	3.7 / 11.08 (1.05/ 3.15)	C	11.5	0.32	12
RV03CD10080000	REV VALVE 3 UST 5/8 - 1/2 CENT DISCH	3.85 / 9.55 (1.09/ 2.72)	4.54 / 11.98 (1.29/ 3.41)	3.14 / 7.42 (0.89/ 2.11)	4.9 / 13.18 (1.39/ 3.75)	3.7 / 10.34 (1.05/ 2.94)	D	11.5	0.32	12
RV03DD10080000	REV VALVE 3 UST 5/8 - 1/2 U DISCH	3.85 / 9.55 (1.09/ 2.72)	4.54 / 11.98 (1.29/ 3.41)	3.14 / 7.42 (0.89/ 2.11)	4.9 / 13.18 (1.39/ 3.75)	3.7 / 10.34 (1.05/ 2.94)	A	15.5	0.66	12
RV06AD12080000	REV VALVE 6 UST 3/4 - 1/2	3.85 / 19.02 (1.09/ 5.41)	4.54 / 23.95 (1.29/ 6.81)	3.14 / 14.81 (0.89/ 4.21)	4.9 / 26.35 (1.39/ 7.49)	3.7 / 20.69 (1.05/ 5.88)	A	15.5	0.68	12
RV06AD14080000	REV VALVE 6 UST 7/8 - 1/2	3.85 / 19.02 (1.09/ 5.41)	4.54 / 23.95 (1.29/ 6.81)	3.14 / 14.81 (0.89/ 4.21)	4.9 / 26.35 (1.39/ 7.49)	3.7 / 20.69 (1.05/ 5.88)	A	15.5	0.72	12
RV06AD14100000	REV VALVE 6 UST 7/8 - 5/8	3.85 / 19.02 (1.09/ 5.41)	4.54 / 23.95 (1.29/ 6.81)	3.14 / 14.81 (0.89/ 4.21)	4.9 / 26.35 (1.39/ 7.49)	3.7 / 20.69 (1.05/ 5.88)	A	15.5	0.72	12
RV06AD14120000	REV VALVE 6 UST 7/8 - 3/4	3.85 / 19.02 (1.09/ 5.41)	4.54 / 23.95 (1.29/ 6.81)	3.14 / 14.81 (0.89/ 4.21)	4.9 / 26.35 (1.39/ 7.49)	3.7 / 20.69 (1.05/ 5.88)	A	19.0	1.19	8
RV10AD14080000	REV VALVE 10 UST 7/8 - 1/2	11.22 / 33.11 (3.19/ 9.41)	13.01 / 41.88 (3.7/ 11.91)	9.82 / 26.05 (2.79/ 7.41)	14.05 / 46.07 (4/ 13.1)	11.08 / 36.56 (3.15/ 10.4)	A	19.0	1.19	8
RV10AD14120000	REV VALVE 10 UST 7/8 - 3/4 RECIPIR	11.22 / 33.11 (3.19/ 9.41)	13.01 / 41.88 (3.7/ 11.91)	9.82 / 26.05 (2.79/ 7.41)	14.05 / 46.07 (4/ 13.1)	11.08 / 36.56 (3.15/ 10.4)	A	19.0	1.23	8

Part number	Description Pipe size (inches)	CAPACITY 1 MIN. - MAX.					Layout	Port (Ø)	Weight (kg)	Master Carton
		R407C	R410A	R134a	R32	R290				
		kW (US Ton) min./max.	kW (US Ton) min./max.	kW (US Ton) min./max.	kW (US Ton) min./max.	kW (US Ton) min./max.				
RV10AD141200S0	REV VALVE 10 UST 7/8 - 3/4	11.22 / 33.11 (3.19/ 9.41)	13.01 / 41.88 (3.7/ 11.91)	9.82 / 26.05 (2.79/ 7.41)	14.05 / 46.07 (4/ 13.1)	11.08 / 36.56 (3.15/ 10.4)	A	19.0	1.23	8
RV10AD14140X00	REV VALVE 10 UST 7/8 - 7/8 FREE	11.22 / 33.11 (3.19/ 9.41)	13.01 / 41.88 (3.7/ 11.91)	9.82 / 26.05 (2.79/ 7.41)	14.05 / 46.07 (4/ 13.1)	11.08 / 36.56 (3.15/ 10.4)	A	19.0	1.23	8
RV10AD180M0000	REV VALVE 10 UST 1-1/8 - METRIC	17.21 / 37.67 (4.89/ 10.71)	19.71 / 47.51 (5.6/ 13.51)	14.41 / 32.36 (4.1/ 9.2)	21.29 / 52.26 (6.05/ 14.86)	16.62 / 41.36 (4.73/ 11.76)	A	19.0	1.23	8
RV10AD18120000	REV VALVE 10 UST 1-1/8 - 3/4	17.21 / 37.67 (4.89/ 10.71)	19.71 / 47.51 (5.6/ 13.51)	14.41 / 32.36 (4.1/ 9.2)	21.29 / 52.26 (6.05/ 14.86)	16.62 / 41.36 (4.73/ 11.76)	A	19.0	1.23	8
RV10AD18140000	REV VALVE 10 UST 1-1/8 - 7/8 RECIPR	17.21 / 37.67 (4.89/ 10.71)	19.71 / 47.51 (5.6/ 13.51)	14.41 / 32.36 (4.1/ 9.2)	21.29 / 52.26 (6.05/ 14.86)	16.62 / 41.36 (4.73/ 11.76)	A	19.0	1.24	8
RV10AD181400S0	REV VALVE 10 UST 1-1/8 - 7/8	17.21 / 37.67 (4.89/ 10.71)	19.71 / 47.51 (5.6/ 13.51)	14.41 / 32.36 (4.1/ 9.2)	21.29 / 52.26 (6.05/ 14.86)	16.62 / 41.36 (4.73/ 11.76)	F	25.6	2.10	5
RV12FD220T0000	REV VALVE 12 UST 1-3/8	22.83 / 46.82 (6.49/ 13.31)	26.35 / 58.94 (7.49/ 16.76)	18.97 / 36.96 (5.39/ 10.51)	28.46 / 64.83 (8.09/ 18.43)	22.16 / 51.7 (6.3/ 14.7)	A	23	1.85	7
RV15AD18140000	REV VALVE 15 UST 1-1/8 - 7/8	15.81 / 54.54 (4.5/ 15.51)	15.81 / 61.58 (4.5/ 17.51)	12.28 / 40.83 (3.49/ 11.61)	17.07 / 67.74 (4.85/ 19.26)	16.6 / 55.4 (4.72/ 15.75)				

Part number	Description Pipe size (inches)	CAPACITY 2 MIN. - MAX.					Layout	Port (Ø)	Weight (kg)	Master Carton
		R407C	R410A	R32	R134a	R290				
		kW (US Ton) min./max.	kW (US Ton) min./max.	kW (US Ton) min./max.	kW (US Ton) min./max.	kW (US Ton) min./max.				
RV00BD06050000	REV VALVE 0.5 UST 3/8 - 5/16 U DISCH	1.43 / 3.37 (0.41/ 0.96)	1.66 / 4.2 (0.47/ 1.19)	1.23 / 2.59 (0.35/ 0.74)	1.8 / 4.62 (0.51/ 1.31)	1.4 / 3.62 (0.4/ 1.03)	B	8	0.193	45
RV01AD06060000	REV VALVE 1 UST 3/8 - 3/8	1.51 / 5.02 (0.43/ 1.43)	1.88 / 6.53 (0.53/ 1.86)	1.51 / 4.25 (0.43/ 1.21)	2.03 / 7.19 (0.58/ 2.04)	1.61 / 5.62 (0.46/ 1.6)	A	11.1	0.19	18
RV01AD06050000	REV VALVE 1 UST 3/8 - 5/16	1.51 / 5.02 (0.43/ 1.43)	1.88 / 6.53 (0.53/ 1.86)	1.51 / 4.25 (0.43/ 1.21)	2.03 / 7.19 (0.58/ 2.04)	1.61 / 5.62 (0.46/ 1.6)	A	11.1	0.25	18
RV01AD08050000	REV VALVE 1 UST 1/2 - 5/16	1.51 / 5.02 (0.43/ 1.43)	1.88 / 6.53 (0.53/ 1.86)	1.51 / 4.25 (0.43/ 1.21)	2.03 / 7.19 (0.58/ 2.04)	1.61 / 5.62 (0.46/ 1.6)	B	11.1	0.27	18
RV01BD06050000	REV VALVE 1 UST 3/8 - 5/16 U DISCH	1.51 / 5.02 (0.43/ 1.43)	1.88 / 6.53 (0.53/ 1.86)	1.51 / 4.25 (0.43/ 1.21)	2.03 / 7.19 (0.58/ 2.04)	1.61 / 5.62 (0.46/ 1.6)	B	11.1	0.19	18
RV01BD06060000	REV VALVE 1 UST 3/8 - 3/8 U DISCH	1.51 / 5.02 (0.43/ 1.43)	1.88 / 6.53 (0.53/ 1.86)	1.51 / 4.25 (0.43/ 1.21)	2.03 / 7.19 (0.58/ 2.04)	1.61 / 5.62 (0.46/ 1.6)	A	11.1	0.19	18
RV01AD08060000	REV VALVE 1 UST 1/2 - 3/8	1.51 / 5.02 (0.43/ 1.43)	1.88 / 6.53 (0.53/ 1.86)	1.51 / 4.25 (0.43/ 1.21)	2.03 / 7.19 (0.58/ 2.04)	1.61 / 5.62 (0.46/ 1.6)	A	11.1	0.19	18
RV01BD08060000	REV VALVE 1 UST 1/2 - 3/8 U DISCH	1.51 / 5.02 (0.43/ 1.43)	1.88 / 6.53 (0.53/ 1.86)	1.51 / 4.25 (0.43/ 1.21)	2.03 / 7.19 (0.58/ 2.04)	1.61 / 5.62 (0.46/ 1.6)	A	11.1	0.28	18
RV02AD08060000	REV VALVE 2 UST 1/2 - 3/8	3.03 / 6.9 (0.86/ 1.96)	3.45 / 8.37 (0.98/ 2.38)	2.65 / 5.38 (0.75/ 1.53)	3.72 / 9.21 (1.06/ 2.62)	3 / 7.22 (0.85/ 2.05)	B	11.1	0.28	18
RV02BD08060000	REV VALVE 2 UST 1/2 - 3/8 U DISCH	3.03 / 6.9 (0.86/ 1.96)	3.45 / 8.37 (0.98/ 2.38)	2.65 / 5.38 (0.75/ 1.53)	3.72 / 9.21 (1.06/ 2.62)	3 / 7.22 (0.85/ 2.05)	C	11.1	0.28	18
RV02CD10060000	REV VALVE 2 UST 5/8 - 3/8	4.18 / 7.72 (1.19/ 2.19)	4.93 / 9.58 (1.4/ 2.72)	3.41 / 6.12 (0.97/ 1.74)	5.33 / 10.53 (1.52/ 3)	4.01 / 8.43 (1.14/ 2.4)	D	11.1	0.30	18
RV02DD10060000	REV VALVE 2 UST 5/8 - 3/8 U DISCH	4.18 / 7.72 (1.19/ 2.19)	4.93 / 9.58 (1.4/ 2.72)	3.41 / 6.12 (0.97/ 1.74)	5.33 / 10.53 (1.52/ 3)	4.02 / 8.43 (1.14/ 2.4)	E	11.5	0.32	12
RV03ED10080000	REV VALVE 3 UST 5/8 - 1/2	4.18 / 10.38 (1.19/ 2.95)	4.93 / 13.02 (1.4/ 3.7)	3.41 / 8.07 (0.97/ 2.29)	5.33 / 14.32 (1.52/ 4.07)	4.02 / 11.24 (1.14/ 3.2)	E	11.5	0.35	12
RV03ED12080000	REV VALVE 3 UST 3/4 - 1/2	4.18 / 10.76 (1.19/ 3.06)	4.93 / 13.42 (1.4/ 3.82)	3.41 / 8.46 (0.97/ 2.4)	5.33 / 14.77 (1.52/ 4.2)	4.02 / 12.04 (1.14/ 3.42)	C	11.5	0.32	12
RV03CD10080000	REV VALVE 3 UST 5/8 - 1/2 CENT DISCH	4.18 / 10.38 (1.19/ 2.95)	4.93 / 13.02 (1.4/ 3.7)	3.41 / 8.07 (0.97/ 2.29)	5.33 / 14.32 (1.52/ 4.07)	4.02 / 11.24 (1.14/ 3.2)	D	11.5	0.32	12
RV03DD10080000	REV VALVE 3 UST 5/8 - 1/2 U DISCH	4.18 / 10.38 (1.19/ 2.95)	4.93 / 13.02 (1.4/ 3.7)	3.41 / 8.07 (0.97/ 2.29)	5.33 / 14.32 (1.52/ 4.07)	4.02 / 11.24 (1.14/ 3.2)	A	15.5	0.66	12
RV06AD12080000	REV VALVE 6 UST 3/4 - 1/2	4.18 / 20.67 (1.19/ 5.88)	4.93 / 26.03 (1.4/ 7.4)	3.41 / 17.59 (0.97/ 5)	5.33 / 28.64 (1.52/ 8.14)	4.02 / 22.48 (1.14/ 6.39)	A	15.5	0.68	12
RV06AD14080000	REV VALVE 6 UST 7/8 - 1/2	4.18 / 20.67 (1.19/ 5.88)	4.93 / 26.03 (1.4/ 7.4)	3.41 / 17.59 (0.97/ 5)	5.33 / 28.64 (1.52/ 8.14)	4.02 / 22.48 (1.14/ 6.39)	A	15.5	0.72	12
RV06AD14100000	REV VALVE 6 UST 7/8 - 5/8	4.18 / 20.67 (1.19/ 5.88)	4.93 / 26.03 (1.4/ 7.4)	3.41 / 17.59 (0.97/ 5)	5.33 / 28.64 (1.52/ 8.14)	4.02 / 22.48 (1.14/ 6.39)	A	15.5	0.72	12
RV06AD14120000	REV VALVE 6 UST 7/8 - 3/4	4.18 / 20.67 (1.19/ 5.88)	4.93 / 26.03 (1.4/ 7.4)	3.41 / 17.59 (0.97/ 5)	5.33 / 28.64 (1.52/ 8.14)	4.02 / 22.48 (1.14/ 6.39)	A	19.0	1.19	8
RV10AD14080000	REV VALVE 10 UST 7/8 - 1/2	12.2 / 35.99 (3.47/ 10.23)	14.14 / 45.52 (4.02/ 12.94)	10.67 / 28.32 (3.03/ 8.05)	15.27 / 50.07 (4.34/ 14.24)	12.04 / 39.74 (3.42/ 11.3)	A	19.0	1.19	8
RV10AD14120000	REV VALVE 10 UST 7/8 - 3/4 RECIPR	12.2 / 35.99 (3.47/ 10.23)	14.14 / 45.52 (4.02/ 12.94)	10.67 / 28.32 (3.03/ 8.05)	15.27 / 50.07 (4.34/ 14.24)	12.04 / 39.74 (3.42/ 11.3)	A	19.0	1.23	8
RV10AD141200S0	REV VALVE 10 UST 7/8 - 3/4	12.2 / 35.99 (3.47/ 10.23)	14.14 / 45.52 (4.02/ 12.94)	10.67 / 28.32 (3.03/ 8.05)	15.27 / 50.07 (4.34/ 14.24)	12.04 / 39.74 (3.42/ 11.3)	A	19.0	1.23	8

Part number	Description Pipe size (inches)	CAPACITY 2 MIN. - MAX.					Layout	Port (Ø)	Weight (kg)	Master Carton
		R407C	R410A	R32	R134a	R290				
		kW (US Ton) min./max.	kW (US Ton) min./max.	kW (US Ton) min./max.	kW (US Ton) min./max.	kW (US Ton) min./max.				
RV10AD14140X00	REV VALVE 10 UST 7/8 - 7/8 FREE	12.2 / 35.99 (3.47/ 10.23)	14.14 / 45.52 (4.02/ 12.94)	10.67 / 28.32 (3.03/ 8.05)	15.27 / 50.07 (4.34/ 14.24)	12.04 / 39.74 (3.42/ 11.3)	A	19.0	1.23	8
RV10AD180M0000	REV VALVE 10 UST 1-1/8 - METRIC	18.71 / 40.95 (5.32/ 11.64)	21.42 / 51.64 (6.09/ 14.68)	15.66 / 35.17 (4.45/ 10)	23.14 / 56.81 (6.58/ 16.15)	18.07 / 44.96 (5.14/ 12.78)	A	19.0	1.23	8
RV10AD18120000	REV VALVE 10 UST 1-1/8 - 3/4	18.71 / 40.95 (5.32/ 11.64)	21.42 / 51.64 (6.09/ 14.68)	15.66 / 35.17 (4.45/ 10)	23.14 / 56.81 (6.58/ 16.15)	18.07 / 44.96 (5.14/ 12.78)	A	19.0	1.23	8
RV10AD18140000	REV VALVE 10 UST 1-1/8 - 7/8 RECIPR	18.71 / 40.95 (5.32/ 11.64)	21.42 / 51.64 (6.09/ 14.68)	15.66 / 35.17 (4.45/ 10)	23.14 / 56.81 (6.58/ 16.15)	18.07 / 44.96 (5.14/ 12.78)	A	19.0	1.23	8
RV10AD181400S0	REV VALVE 10 UST 1-1/8 - 7/8	18.71 / 40.95 (5.32/ 11.64)	21.42 / 51.64 (6.09/ 14.68)	15.66 / 35.17 (4.45/ 10)	23.14 / 56.81 (6.58/ 16.15)	18.07 / 44.96 (5.14/ 12.78)	A	19.0	1.24	8
RV12FD220T0000	REV VALVE 12 UST 1-3/8	24.82 / 50.89 (7.06/ 14.47)	28.64 / 64.07 (8.14/ 18.22)	20.62 / 40.17 (5.86/ 11.42)	30.93 / 70.47 (8.8/ 20.04)	24.08 / 56.2 (6.85/ 15.98)	F	25.6	2.10	5
RV15AD18140000	REV VALVE 15 UST 1-1/8 - 7/8	17.18 / 59.28 (4.89/ 16.86)	17.18 / 66.93 (4.89/ 19.03)	13.35 / 44.38 (3.8/ 12.62)	18.56 / 73.63 (5.28/ 20.93)	18.04 / 60.22 (5.13/ 17.12)	A	23	1.85	7

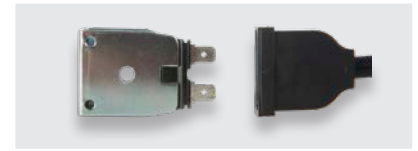


Pilot action models

Part number	Description Pipe size (inches)	CAPACITY 1 MIN. - MAX.					Layout	Port (Ø)	Weight (kg)	Master Carton
		R407C	R410A	R32	R134a	R290				
		kW (US Ton) min./max.	kW (US Ton) min./max.	kW (US Ton) min./max.	kW (US Ton) min./max.	kW (US Ton) min./max.				
RV20AP20160000	VALV. DI INV. 20 UST 1-1/4 - 1	17.56 / 72.48 (4.99/ 20.61)	17.59 / 81.64 (5/ 23.21)	13.69 / 54.19 (3.89/ 15.41)	19 / 89.8 (5.4/ 25.53)	18.47 / 73.86 (5.25/ 21)	A	34.6	3.35	1
RV20AP22180000	VALV. DI INV. 20 UST 1-3/8 - 1-1/8	17.56 / 72.48 (4.99/ 20.61)	17.59 / 81.64 (5/ 23.21)	13.69 / 54.19 (3.89/ 15.41)	19 / 89.8 (5.4/ 25.53)	18.47 / 73.86 (5.25/ 21)	A	26.0	3.25	1
RV30AP24200000	VALV. DI INV. 30 UST 1-1/2 - 1-1/4	26.35 / 108.72 (7.49/ 30.91)	26.36 / 122.44 (7.5/ 34.81)	20.36 / 81.28 (5.79/ 23.11)	28.47 / 134.68 (8.09/ 38.3)	27.68 / 110.79 (7.87/ 31.5)	A	34.6	3.38	1
RV40AP28240000	VALV. DI INV. 40 UST 1-3/4 - 1-1/2	35.14 / 144.95 (9.99/ 41.21)	35.16 / 163.25 (10/ 46.42)	27.03 / 108.36 (7.69/ 30.81)	37.97 / 179.58 (10.8/ 51.06)	36.92 / 147.71 (10.5/ 42)	A	41	7.15	1
RV40AP26240000	VALV. DI INV. 40 UST 1-5/8 - 1-1/2	35.14 / 144.95 (9.99/ 41.21)	35.16 / 163.25 (10/ 46.42)	27.03 / 108.36 (7.69/ 30.81)	37.97 / 179.58 (10.8/ 51.06)	36.92 / 147.71 (10.5/ 42)	A	41	7.25	1
RV50AP34240000	VALV. DI INV. 50 UST 2-1/8 - 1-1/2	35.14 / 181.13 (9.99/ 51.5)	35.21 / 203.99 (10.01/ 58)	27.03 / 135.4 (7.69/ 38.5)	38.03 / 224.39 (10.01/ 58)	36.93 / 184.64 (10.5/ 52.5)	A	46.4	7.35	1
RV60AP42260000	VALV. DI INV. 60 UST 2-5/8 - 1-5/8	38.3 / 197.43 (10.89/ 56.14)	38.38 / 222.35 (10.91/ 63.22)	29.46 / 147.59 (8.38/ 41.96)	41.45 / 244.59 (11.79/ 69.54)	40.26 / 201.26 (11.45/ 57.23)	A	50.2	7.60	1

Part number	Description Pipe size (inches)	CAPACITY 2 MIN. - MAX.					Layout	Port (Ø)	Weight (kg)	Master Carton
		R407C	R410A	R134a	R32	R290				
		kW (US Ton) min./max.	kW (US Ton) min./max.	kW (US Ton) min./max.	kW (US Ton) min./max.	kW (US Ton) min./max.				
RV20AP20160000	VALV. DI INV. 20 UST 1-1/4 - 1	17.56 / 72.48 (4.99/ 20.61)	17.59 / 81.64 (5/ 23.21)	13.69 / 54.19 (3.89/ 15.41)	19 / 89.8 (5.4/ 25.53)	18.47 / 73.86 (5.25/ 21)	A	34.6	3.35	1
RV20AP22180000	VALV. DI INV. 20 UST 1-3/8 - 1-1/8	17.56 / 72.48 (4.99/ 20.61)	17.59 / 81.64 (5/ 23.21)	13.69 / 54.19 (3.89/ 15.41)	19 / 89.8 (5.4/ 25.53)	18.47 / 73.86 (5.25/ 21)	A	26.0	3.25	1
RV30AP24200000	VALV. DI INV. 30 UST 1-1/2 - 1-1/4	26.35 / 108.72 (7.49/ 30.91)	26.36 / 122.44 (7.5/ 34.81)	20.36 / 81.28 (5.79/ 23.11)	28.47 / 134.68 (8.09/ 38.3)	27.68 / 110.79 (7.87/ 31.5)	A	34.6	3.38	1
RV40AP28240000	VALV. DI INV. 40 UST 1-3/4 - 1-1/2	35.14 / 144.95 (9.99/ 41.21)	35.16 / 163.25 (10/ 46.42)	27.03 / 108.36 (7.69/ 30.81)	37.97 / 179.58 (10.8/ 51.06)	36.92 / 147.71 (10.5/ 42)	A	41	7.15	1
RV40AP26240000	VALV. DI INV. 40 UST 1-5/8 - 1-1/2	35.14 / 144.95 (9.99/ 41.21)	35.16 / 163.25 (10/ 46.42)	27.03 / 108.36 (7.69/ 30.81)	37.97 / 179.58 (10.8/ 51.06)	36.92 / 147.71 (10.5/ 42)	A	41	7.25	1
RV50AP34240000	VALV. DI INV. 50 UST 2-1/8 - 1-1/2	35.14 / 181.13 (9.99/ 51.5)	35.21 / 203.99 (10.01/ 58)	27.03 / 135.4 (7.69/ 38.5)	38.03 / 224.39 (10.01/ 58)	36.93 / 184.64 (10.5/ 52.5)	A	46.4	7.35	1
RV60AP42260000	VALV. DI INV. 60 UST 2-5/8 - 1-5/8	38.3 / 197.43 (10.89/ 56.14)	38.38 / 222.35 (10.91/ 63.22)	29.46 / 147.59 (8.38/ 41.96)	41.45 / 244.59 (11.79/ 69.54)	40.26 / 201.26 (11.45/ 57.23)	A	50.2	7.60	1

Coils



COILS

Part number	Description	Power supply	Frequency	Power 50/60 Hz (W)	Cable length	
					mm	inches
RVCKA702400000	Reversing Valve COIL 24 Vac without cable	24 Vac	50/60 Hz	5.5 / 3.5	-	-
RVCKA612000000	Reversing Valve COIL 120 Vac without cable	120 Vac	50/60 Hz	5.5 / 3.5	-	-
RVCKA723000000	Reversing Valve COIL 230 Vac without cable	230 Vac	50/60 Hz	5.5 / 3.5	-	-
RVCKD001200000	Reversing Valve COIL 12 Vdc without cable	12 Vdc	-	10	-	-
RVCKD002400000	Reversing Valve COIL 24 Vdc without cable	24 Vdc	-	10	-	-
RVCLA702404800	Reversing Valve COIL 24 Vac cable 48"	24 Vac	50/60 Hz	5.5 / 3.5	1200	48
RVCLA612004800	Reversing Valve COIL 120 Vac cable 48"	120 Vac	50/60 Hz	5.5 / 3.5	1200	48
RVCLA723004800	Reversing Valve COIL 230 Vac cable 48"	230 Vac	50/60 Hz	5.5 / 3.5	1200	48

other cable lengths available on request



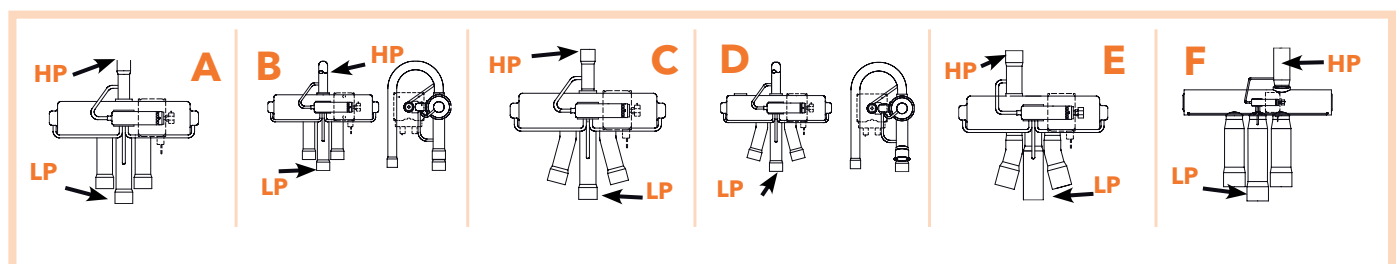
Part number	Description	Power supply	Frequency	Power 50/60 Hz	Cable length	
					mm	inches
RVCCOW29048000	Reversing Valve cable 48" K style coil	-	-	-	1200	48

other cable lengths available on request



Part number	Description	Power supply	Frequency	Power 50/60 Hz	Cable length	
					mm	inches
RV00H7-60A0000	pilot coil screw	-	-	-	-	-

Layout



NOTE: capacities 1 are based on the following conditions:

- evaporating temperature: 7.2 °C;
- condensing temperature: 55 °C;
- sub cooling: 5.0 °C;
- superheat: 5.0 °C;
- pressure drop: 0.014 MPa

NOTE: capacities 2 are based on the following conditions:

- evaporating temperature: 5 °C;
- condensing temperature: 38 °C;
- sub cooling: 0 °C;
- superheat: 5.0 °C;
- pressure drop: 0.01 MPa

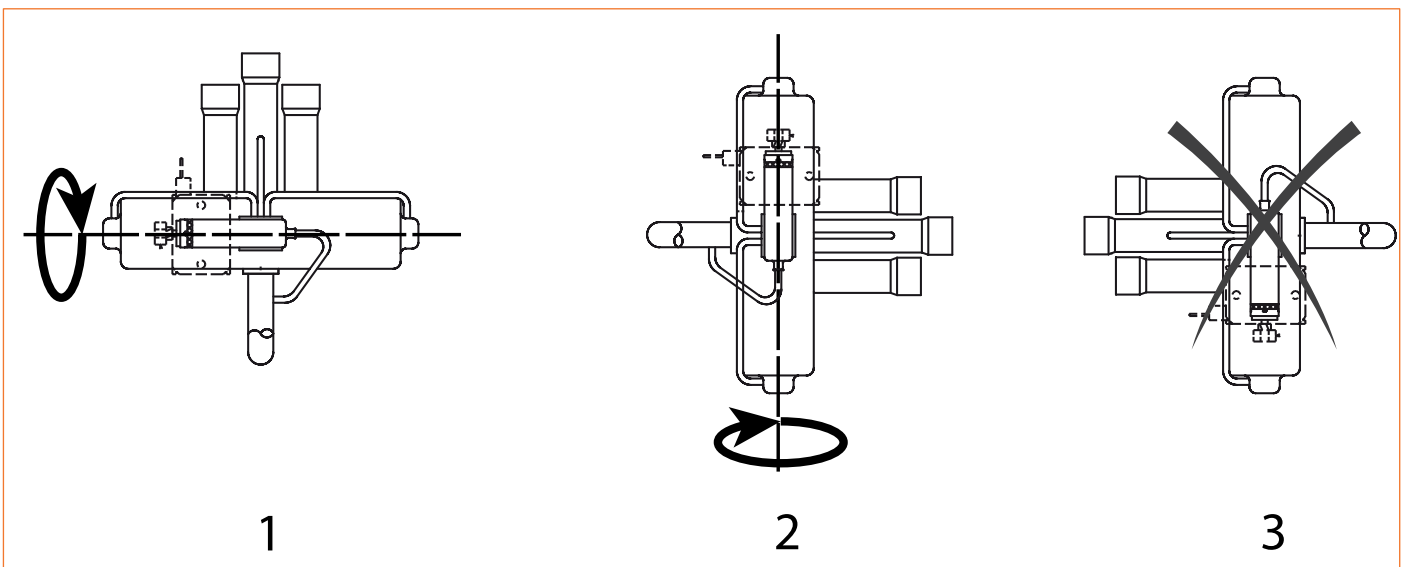
RV00÷RV60 operating specifications

- Minimum ΔP to reverse 0.1 MPa
- Maximum ΔP to reverse 3.0 MPa
- Maximum operating pressure: 4.69 MPa
- Minimum burst pressure: 17.24 MPa
- Maximum operating temperature 135 °C.

INSTALLATION INSTRUCTIONS

	Make sure there is a sufficient volume of fluid to allow reversing action especially at low pressure value.
	To prevent dust and moisture entering the valves, tubes are provided with protection tube caps.
	Valve body should be protected with water or wet clothes during brazing in order not to exceed 120 °C.
	Recommended mounting position is horizontal. Valve should be installed as illustrations, and in place where there is little vibration.
	Valve should be stored in dry place. Keep moisture, dust and any foreign matter from entering valve.

MOUNTING POSITIONS



1	Valve can be rotated 360° around horizontal axis of valve	ALLOWED
2	Valve can be rotated 360° around vertical axis of valve, with coil up	ALLOWED
3	Coil down	FORBIDDEN

ITALIA - HEADQUARTERS

Eliwell Controls Srl

Via dell' Industria, 15 Z. I. Paludi
32016 Alpago (BL) - Italy

T +39 0437 986 111

Sales

T +39 0437 986 100 (Italy)

T +39 0437 986 200 (other countries)

E saleseliwell@schneider-electric.com

Technical support

T +39 0437 986 300

E techsuppeliwell@schneider-electric.com



Contact us

www.eliwell.com

Follow us on  

CT123280 • rel. 02/20
© Copyright Eliwell Controls s.r.l. 2020 - All rights reserved

Eliwell has been developing and producing control systems, solutions and services for commercial and industrial refrigeration units since 1980. It's the success story of an Italian company that has been bringing made-in-Italy technological development around the world for 40 years. In 2014 Eliwell became part of the Schneider Electric group representing its centre of excellence for HVACR applications. Today, Eliwell, along with Schneider Electric, is the global partner that provides efficient and sustainable solutions and services for food preservation and distribution systems dedicated to environmental comfort for an integrated asset control.