

Installation guide

**Pressure switch, KP 1, KP 1W, KP 1A, KP 2, KP 4, KP 5, KP 5A, KP 6W, KP 6B, KP 6S, KP 6AW, KP 6AB, KP 6AS, KP 7W, KP 7B, KP 7S**



060R9750

060R9750

**Refrigerants:**

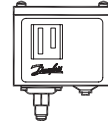
R22, R134a, R404A, R407A, R407C, R407F, R410A\*) R422B, R422D, R448A, R449A, R452A, R507A, R513A, R717\*\*)

For complete list of approved refrigerants, go to <http://products.danfoss.com/all-products/>

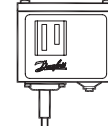
\*) only for KP 6W, KP 6B, KP 6S, KP 6AW, KP 6AB, KP 6AS

\*\*\*) only for KP 1A, KP 5A, KP 6AW, KP 6AB, KP6 AS

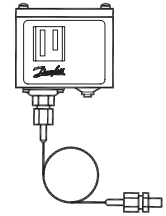
KP 1, KP 2, KP4  
KP 5, KP 6, KP 7



KP 1, KP 2, KP4  
KP 5, KP 6, KP 7

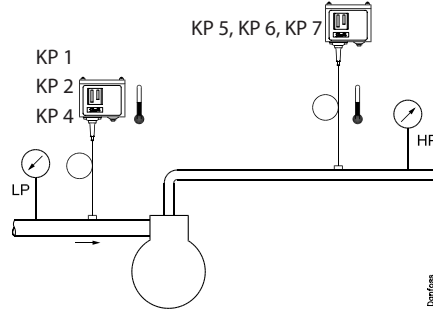
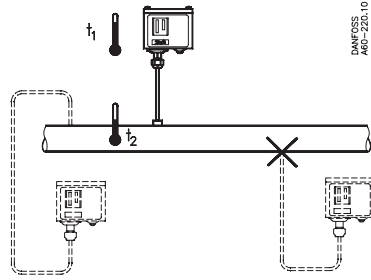


KP 1A, KP 5A



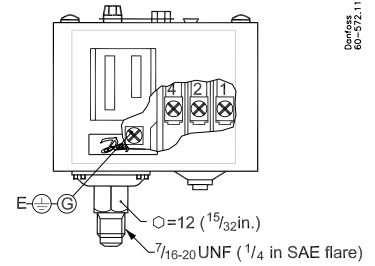
**Ambient temperatures / Mounting requirements**

-40 – 65 °C  
-25 – 65 °C (PED approved units)

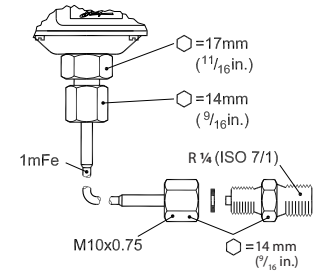


Relative humidity RH: 30 – 98%  
Vibrations resistance: 4 g (10 – 1000 Hz)

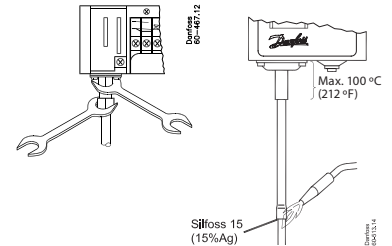
**Connections**



**Connections for KP 1A, KP 5A, KP 6AS**



**Mounting**



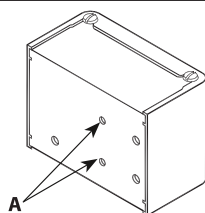
**Test pressure (P<sub>test</sub>) PS/MWP**

- P<sub>test</sub>max.:*  
 KP 1, KP 2: 20 bar p<sub>e</sub> (285 psig)  
 KP 2: 12 bar p<sub>e</sub> (174 psig)  
 KP 4: 24 bar p<sub>e</sub> (343 psig)  
 KP 5, KP 7: 35 bar p<sub>e</sub> (510 psig)  
 KP 6: 46,5 bar p<sub>e</sub> (675 psig)

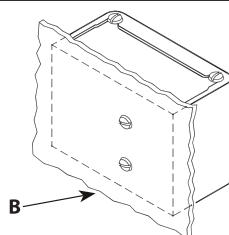
Type	Regulation range	PS/MWP
KP 1	-0.2 – 7.5 bar	245 psig / 17 bar
KP 1, reset	-0.9 – 7.0 bar	245 psig / 17 bar
KP 1 W	0.5 – 3.0 bar	245 psig / 17 bar
KP 2	-0.2 – 5.0 bar	245 psig / 17 bar
KP 2	-0.2 – 3.5 bar	145 psig / 10 bar
KP 4	-0.2 – 7.5 bar	312 psig / 21,5 bar
KP 5	8 – 32 bar	510 psig / 35 bar
KP 6	8 – 42 bar	675 psig / 46,5 bar
KP 7	8 – 32 bar	510 psig / 35 bar

PS/MWP  
(Maximum Working Pressure)

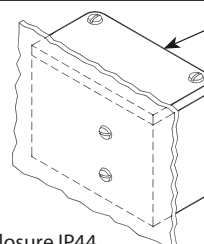
**Enclosure**



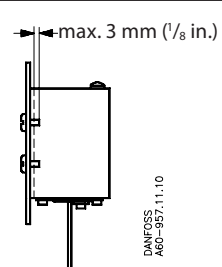
**A:** 8 – 32 UNC (M4)



**B:** Enclosure IP30 (EN 60529)



**C:** Enclosure IP44 (EN 60529)



Імпортер: ТОВ з іі "Данфосс ТОВ" 04080, Київ 80, п/с 168, Україна

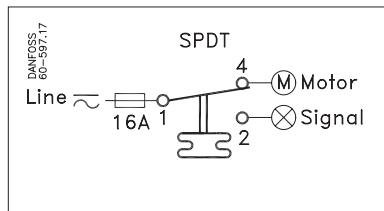
Info for UK customers only: Danfoss Ltd., 22 Wycombe End, HP9 1NB, GB



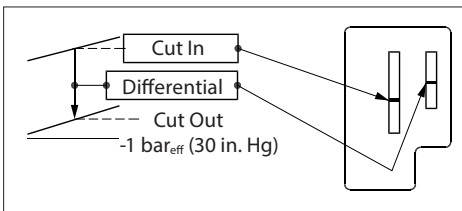
**CAUTION:**

Disconnect power supply before wiring connections are made or service to avoid possible electrical shock or damage to equipment. Do never touch live parts with your fingers or with any tool.

Contact 1-4 opens on pressure drop



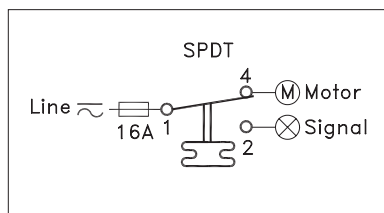
KP 1, KP 2, KP 4



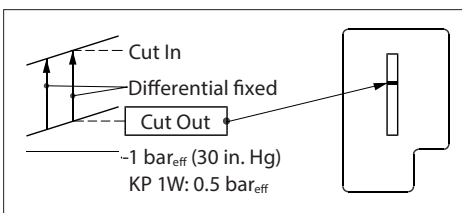
AC 1: 16 A	400 V a.c.	DC 13
AC 3: 16 A		12 W
AC 15: 10 A		220 V

Short circuit protection:  
Fuse 16 Amp.

Contact 1-4 opens on pressure drop



KP 1W, KP 1 manual reset



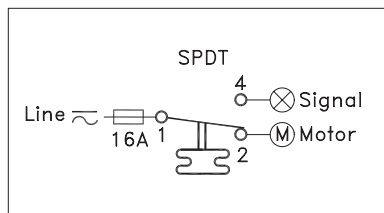
When used acc. to UL regulations

**UL US LISTED** Listed refrigeration controller 61B5

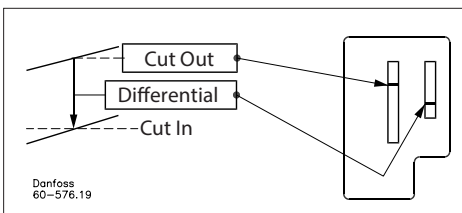
Voltage	AC DC	FL	LR	Resist. load	Pilot duty
		A	A		
240	—	8	48	8 A	3A
120	—	16	96	16 A	
—	240	—	—	—	12 W

Use copper wire only  
Tightening torque 20 lb. in.

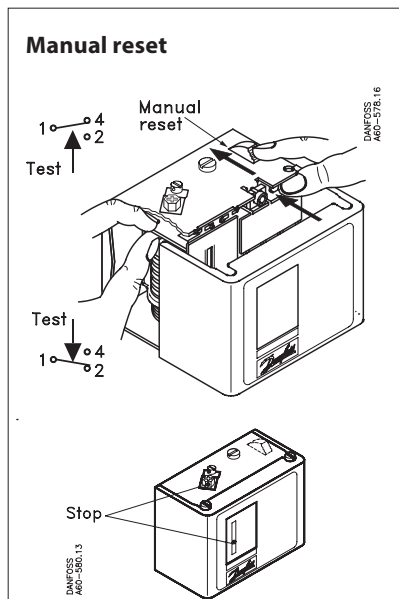
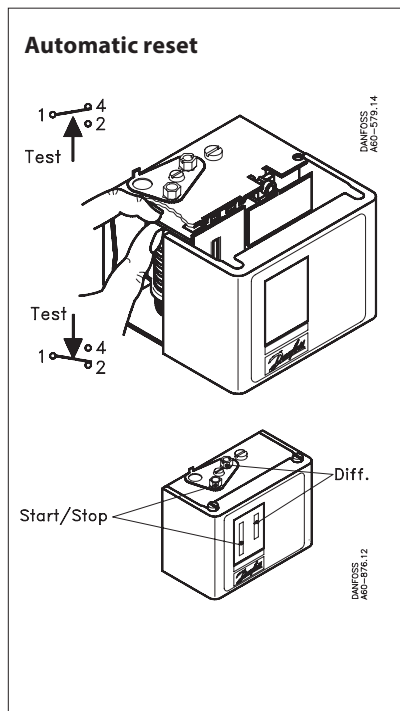
Contact 1-2 opens on pressure rise



KP 5, KP 5A, KP 6, KP 6A, KP 7



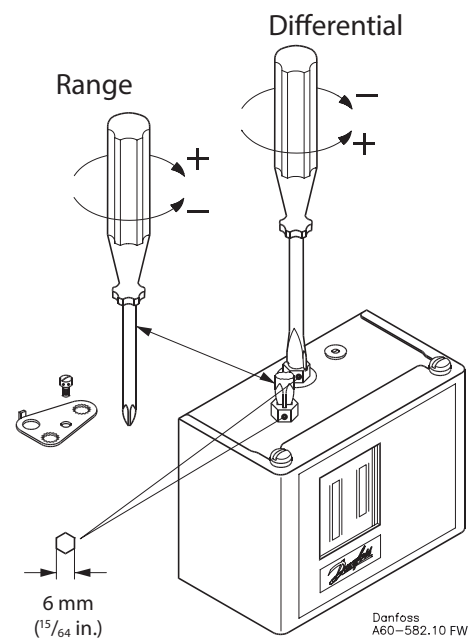
**Manual trip function**



Type	Differential
KP 1, KP 1A	0.7 bar (10 psi)
KP 5, KP 5A	3 bar (43 psi)
KP 6B, KP 6S, KP 6AB, KP 6AS, KP 7B, KP 7S	4 bar (58 psi)

**Note:**  
use FINGERS ONLY!  
(Do NOT use screwdriver)

**Adjustment**





**CAUTION:**

Only for selected A2L refrigerants: R455A, R454C, R1234yf, R1234yz, R1234ze

For complete list of approved A2L refrigerants, go to <http://products.danfoss.com/all-products/>

**Electrical rating**

AC-3: 16 A / 250 V AC

AC-15: 10 A / 250 V AC

Voltage	Current range	Power factor (cos phi)	Frequency
250V AC	≤ 4.0 A	PF ≥ 0,400	50Hz/60Hz
250V AC	> 4.0 to 6.0 A	PF ≥ 0,594	50Hz/60Hz
250V AC	> 6.0 to 16,0 A	PF ≥ 0,780	50Hz/60Hz

**IMPORTANT NOTICE**



**Safety requirements**

1. KP pressure switches shall only be employed in the units/systems which comply with the requirements for charge limits and requirements for avoiding ignition sources of IEC 60335-2-24, IEC 60335-2-40, IEC 60335-2-89, ISO 5149, EN378-1 or equivalent.
2. Applying the overload on the KPs must be prevented. If by any chance it was damaged, the system / unit shall be stopped and KP shall be replaced as necessary.
3. Electrostatic discharge protection and Electrical leakage protection shall be surely implemented by grounding or other measures.
4. Only trained personnel are authorized to handle flammable refrigerants systems and may do the installation, maintenance and exchange of the switch by using appropriate tools.
5. It is recommended to regularly check the function of KP switch.
6. KP pressure switches must be installed in an area with a low risk of mechanical damage.
7. Corrosion protection of KP pressure switches must be taken into account when used in a corrosive environment.
8. Cables shall not be in contact with sharp edges. The cables shall be connected with adequate stress relieve in order to prevent that pulling forces can be carried through the cable to the terminal.
9. In the event of pressure pulsation in the system, where switch is connected, these must be effectively dumped to prevent failure of the bellows. The cycle frequency of KP switch shall be kept as low as possible.
10. The KP switches shall not be installed in places where high level of vibration is present.

**Disclaimer**

The user is responsible for ensuring that third parties also comply with this Notice, e.g. in case that the KP switches are supplied to third parties, and e.g. that all installation guides are available with the KP switches during installation. It is required that all conditions of this guide are being met and secured when using KP pressure switches.

Danfoss shall not be responsible for any kind of direct and indirect or consequential damage or loss, including, but not limited to, loss of property, production, loss of profit, human injury arising out of the explosion or fire caused by the flammable nature of refrigerant.