

Data sheet

# Servo-operated 2/2-way solenoid valves

## Type EV227B



EV227B is a servo-operated 2/2-way solenoid valve programme, designed with diaphragm in softer material and with stronger armature spring for optimum closing at low pressure differences.

### Features

- For neutral brines
- Ambient temperature: Up to 50 °C
- Coil enclosure: Up to IP67
- Stainless steel screws for optimum corrosion resistance
- Thread connection: from G  $\frac{3}{8}$  – G 1

**Brass valve body**



Connection ISO 228/1	Seal material	Orifice size	K <sub>v</sub> - value [m <sup>3</sup> /h]	Differential pressure, min. to max. [bar]	Media temperature min. to max. [°C]	Code number
G 3/8	EPDM	10	1.5	0.1 – 5	-35 – 60	<b>068F4050</b>
G 1/2	EPDM	12	2.5	0.1 – 5	-35 – 60	<b>068F4052</b>
G 1/2	EPDM	14	3.5	0.1 – 5	-35 – 60	<b>068F4053</b>
G 3/4	EPDM	18	5.5	0.1 – 5	-35 – 60	<b>068F4054</b>
G 1	EPDM	22	5.5	0.1 – 5	-35 – 60	<b>068F4055</b>

**Technical data**

Main type	EV227B 10	EV227B 12	EV227B 14	EV227B 18	EV227B 22
Time to open [ms] <sup>1)</sup>	50	60	100	200	200
Time to close [ms] <sup>1)</sup>	300	300	400	500	500

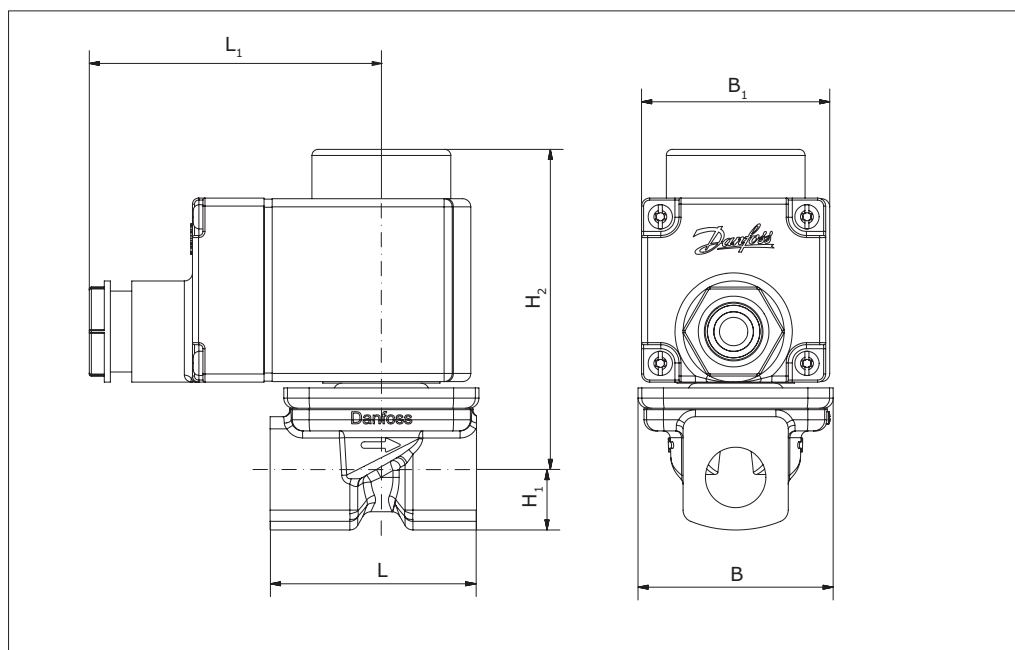
<sup>1)</sup> The times are indicative.

Type	EV227B 10 – EV227B 22		
Installation	Vertical solenoid system is recommended		
Max. test pressure	16 bar		
Ambient temperature	Up to 50 °C		
Viscosity	Max. 50 cSt		
Materials	Valve body:	Brass	W.no. 2.0402
	Cover	Stainless steel	W.no. 1.4301
	Armature tube:	Stainless steel	W.no. 1.4306
	Diaphragm:	EPDM	–
	Screws:	Stainless steel	–

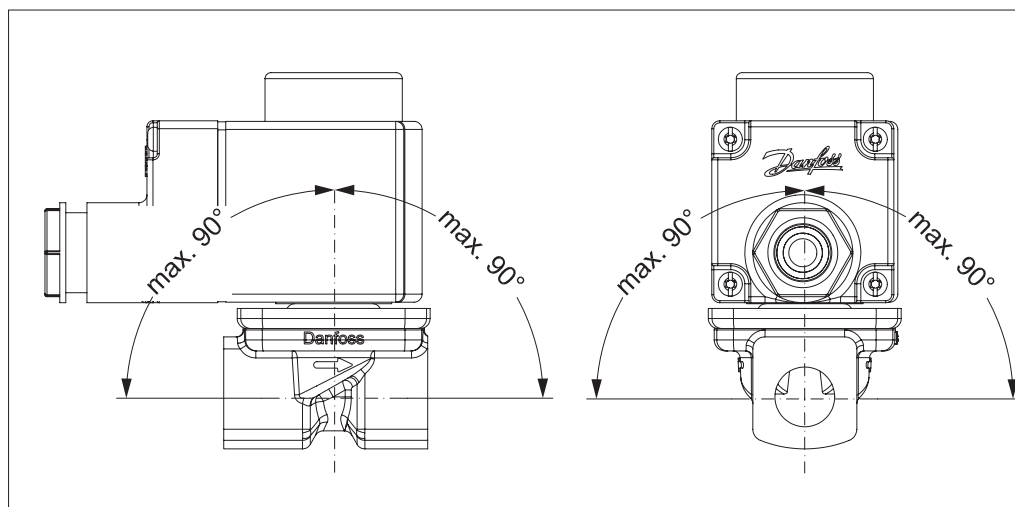
**Dimensions and weight**

Type	L [mm]	B [mm]	B <sub>1</sub> /L <sub>1</sub> [mm] Coil type				H <sub>1</sub> [mm]	H <sub>2</sub> [mm]	Weight without coil [kg]
			BE		BG				
			B <sub>1</sub>	L <sub>1</sub>	B <sub>1</sub>	L <sub>1</sub>			
EV227B 10	51	48	46	72	66	82	13	84	0.29
EV227B 12	58	50	46	72	66	82	13	84	0.35
EV227B 14	80	52	46	72	66	82	15	87	0.50
EV227B 18	90	56	46	72	66	82	18	90	0.65
EV227B 22	90	58	46	72	66	82	18	98	1.00



**Dimensions**



**Mounting angle**



**Below coils can be used  
with EV227B**

Coil	Type	Power consumption	Enclosure	Features
	BE, clip on	10 W AC 18 W DC	IP67	With terminal box
	BG, clip-on	12 W AC 20 W DC	IP67	With terminal box

**Spare parts kit**

Type	Seal material	Code number
EV227B 10	EPDM	<b>068F4000</b>

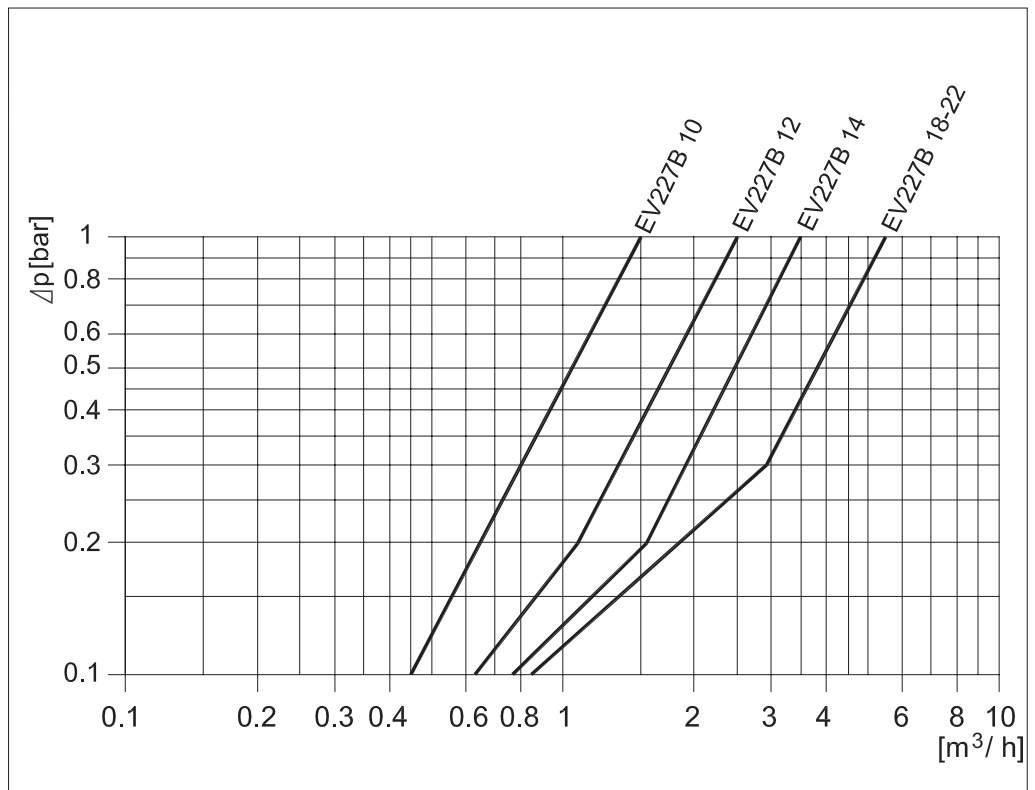
**The kit contains:**  
Diaphragm assembly  
2x O-ring  
Armature assembly

**Spare parts kit**

Type	Seal material	Code number
EV227B 12	EPDM	<b>068F4001</b>
EV227B 14	EPDM	<b>068F4002</b>
EV227B 18 - EV227B 22	EPDM	<b>068F4003</b>

**The kit contains:**  
Diaphragm assembly  
O-ring  
Armature assembly

**Capacity diagram, water**



**Indicative capacity correction factors for different viscosities**

Viscosity, mm <sup>2</sup> /s	10	20	30	40	50
Correction factor	1.10	1.15	1.20	1.30	1.45

Multiply the capacity (m<sup>3</sup>/h) with the viscosity to find the EV227B valve that complies with the correction factor of the brine selected for the corrected capacity system. Then use the water capacity diagram.