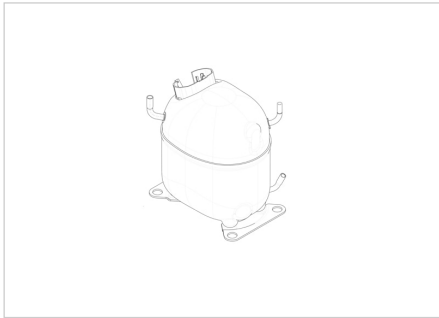


MODEL

NJ9226GK

embraco



APPROVALS


 **ENGINEERING CODE**

944LV11

 **APPROVED REFRIGERANT**

R-404A

 **POWER SUPPLY**

230 V 50 Hz

 **STANDARD CONDITIONS**

ASHRAE

 **APPLICATION**

M/HBP

 **COOLING CAPACITY**

3298 W

 **EFFICIENCY**

2.51 W/W

 **MOTOR TYPE**

CSCR

 **STARTING TORQUE**

HST

DATA

General Data

Type	Hermetic reciprocating
Technology Type	On-Off
Displacement	21.7 cm ³
Compressor Cooling	Fan
Fan Air Flow	800 m ³ /h
Expansion Device	Capillary Tube or Expansion Valve
Horse Power	1 hp
Max Condensing Pressure Operating	24.71 bar
Max Condensing Pressure Peak	27.71 bar
Power Supply	230 V 50 Hz
Evaporating Temperature Range	-20 °C to 10 °C

Electrical Data

Motor type	CSCR
Starting Torque	HST
Start Winding Resistance	7.8 Ω at 25° C
Run Winding Resistance	2.12 Ω at 25° C

Mechanical Data

Maximum Recommended Refrigerant Charge	800 g
Oil Charge	750 ml
Oil Type Configuration	Polyolester
Oil Type Viscosity	ISO22
Pressurization	Dry air charge
Weight	21 Kg
Free Internal Volume	3.9 L

Electrical Components

	Description
CSR / CSIR Box	yes
Start Capacitor	88-108 μ F / 330V
Starting Device	Potential relay RVA4M3C-110
Motor Protection	External 3/4" T0736/C9

External Characteristics

Base Plate	Large	
Tray Holder	No	
Height	265 mm	
Connector	Internal Diameter	Shape
Suction	9.6 mm	Vertical
Discharge	8 mm	Slanted 65°
Process	6.42 mm	Vertical

PERFORMANCE

Rated Points

Condensing Temperature	Evaporating Temperature	Cooling Capacity	Power Consumption	Current	Gas Flow Rate	Efficiency
54.40°C	7.20°C	3298 W	1315 W	5.79 A	92.47 kg/h	2.51 W/W

Test Condition: ASHRAE, Fan, Return Gas 35°C, Evaporation 7.20°C, Condensing 54.40°C, Ambient 35°C, Liquid 46.1°C. Data in accordance to ASHRAE guideline polynomial curve.

Performance Curve Data

Condensing Temperature 35°C

Evaporating Temperature °C	Cooling Capacity W	Power W	Current A	Gas Flow Rate kg/h	Efficiency W/W
-20	1398	749	3.33	30.30	1.87
-15	1782	819	3.6	38.83	2.18
-10	2253	885	3.86	49.39	2.55
-5	2811	946	4.11	62.06	2.97
0	3454	1002	4.36	76.94	3.45
5	4185	1052	4.6	94.13	3.98
10	5001	1096	4.85	113.71	4.56

Test Condition: ASHRAE, Fan, M/HBP. Data in accordance to ASHRAE guideline polynomial curve.

Condensing Temperature 45°C

Evaporating Temperature °C	Cooling Capacity W	Power W	Current A	Gas Flow Rate kg/h	Efficiency W/W
-20	1168	754	3.3	27.94	1.55
-15	1512	843	3.68	36.38	1.79
-10	1928	929	4.05	46.70	2.08
-5	2415	1011	4.4	58.98	2.39
0	2975	1090	4.75	73.33	2.73
5	3607	1164	5.1	89.82	3.1
10	4310	1234	5.44	108.57	3.49

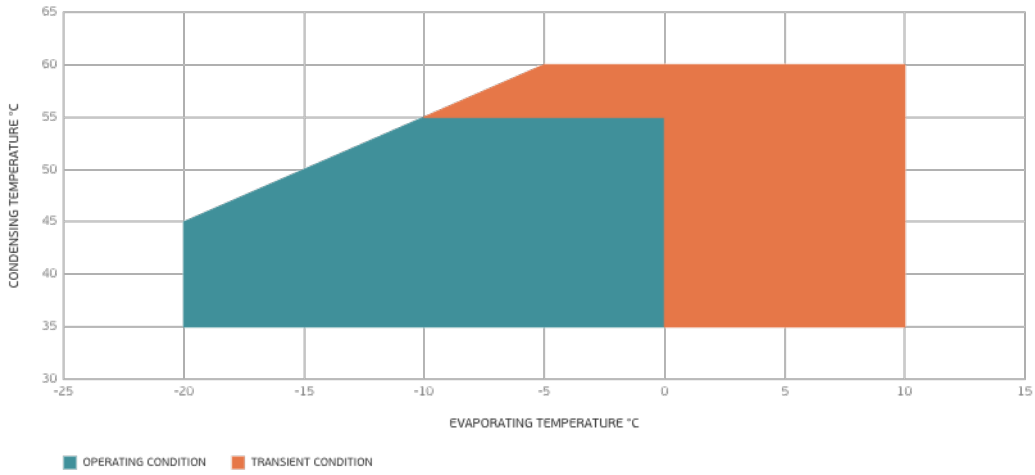
Test Condition: ASHRAE, Fan, M/HBP. Data in accordance to ASHRAE guideline polynomial curve.

Condensing Temperature 55°C

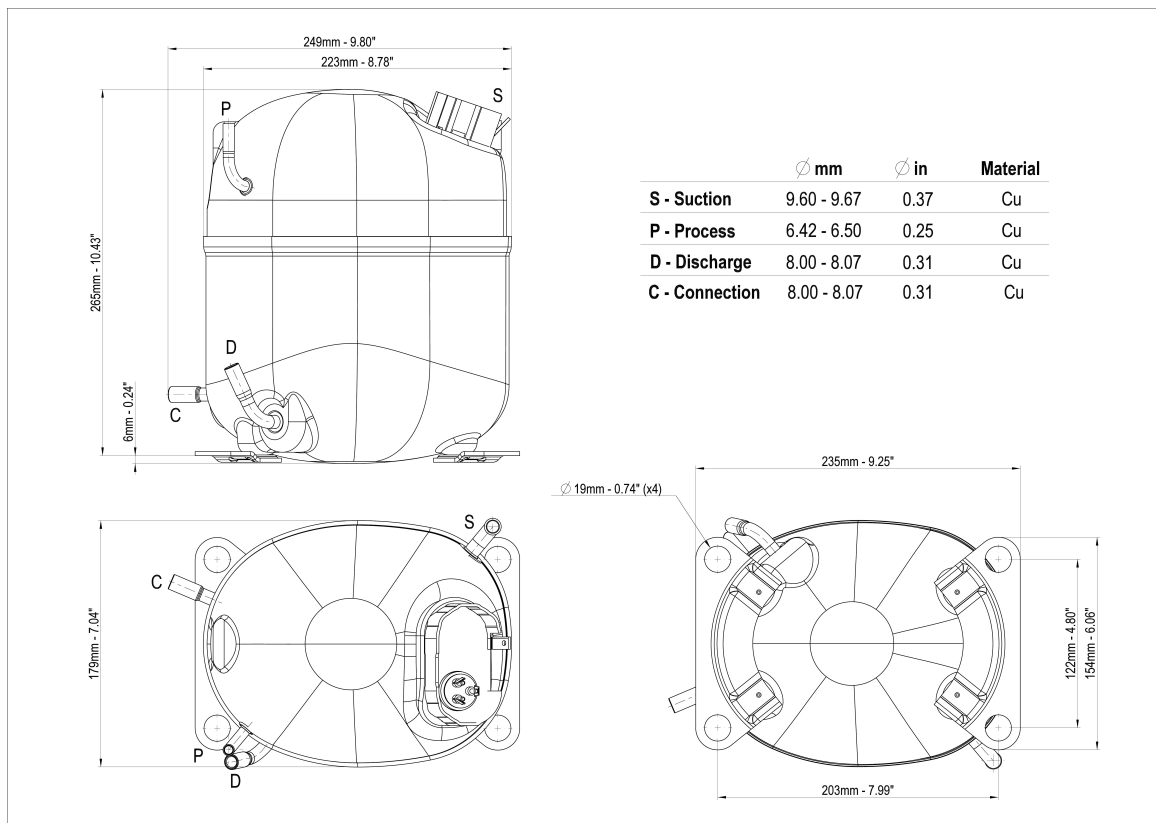
Evaporating Temperature °C	Cooling Capacity W	Power W	Current A	Gas Flow Rate kg/h	Efficiency W/W
-10	1588	974	4.24	43.24	1.63
-5	2003	1079	4.71	55.06	1.86
0	2476	1181	5.17	68.79	2.1
5	3007	1280	5.63	84.52	2.35
10	3594	1376	6.08	102.34	2.61

Test Condition: ASHRAE, Fan, M/HBP. Data in accordance to ASHRAE guideline polynomial curve.

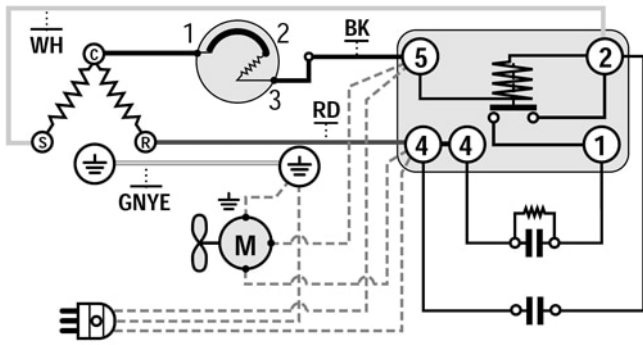
Operating Envelope



External Dimensions



Wiring Diagram



Assembly Instructions

