




APPROVALS




 **ENGINEERING CODE**
861LA51


 **APPROVED REFRIGERANT**
R-600a

 **POWER SUPPLY**
220-240 V 50 Hz

 **STANDARD CONDITIONS**
ASHRAE

 **APPLICATION**
HBP

 **COOLING CAPACITY**
814 W

 **EFFICIENCY**
2.5 W/W

 **MOTOR TYPE**
CSIR

 **STARTING TORQUE**
HST

DATA

General Data

Type	Hermetic reciprocating
Technology Type	On-Off
Displacement	14.28 cm ³
Compressor Cooling	Fan
Fan Air Flow	520 m ³ /h
Expansion Device	Capillary Tube or Expansion Valve
Horse Power	1/4 hp
Max Condensing Pressure Operating	6.73 bar
Max Condensing Pressure Peak	7.69 bar
Power Supply	220-240 V 50 Hz
Evaporating Temperature Range	-15 °C to 10 °C

Electrical Data

Motor type	CSIR
Starting Torque	HST
Start Winding Resistance	29.57 Ω at 25° C
Run Winding Resistance	7.96 Ω at 25° C
Locked Rotor Amperage (LRA)	12.5 A

Mechanical Data

Maximum Recommended Refrigerant Charge	150 g
Oil Charge	350 ml
Oil Type Configuration	Polyolester
Oil Type Viscosity	ISO22
Pressurization	Without dry air charge
Weight	10.3 Kg
Free Internal Volume	2.1 L

Electrical Components

	Description
Start Capacitor	43-53 7F / 330V
Motor Protection	External 3/4" T0186/G6
Starting Device	Current relay MTRPH-0026-65

External Characteristics

Base Plate	European	
Tray Holder	No	
Height	188 mm	
Connector	Internal Diameter	Shape
Suction	8.1 mm	Slanted 42°
Discharge	6.1 mm	Straight
Process	6.1 mm	Slanted 42°

PERFORMANCE

Rated Points

Condensing Temperature	Evaporating Temperature	Cooling Capacity	Power Consumption	Current	Gas Flow Rate	Efficiency
54.40°C	7.20°C	814 W	325 W	2.06 A	9.78 kg/h	2.5 W/W

Test Condition: ASHRAE, Fan, Return Gas 35°C, Evaporation 7.20°C, Condensing 54.40°C, Ambient 35°C, Liquid 46.1°C. Data in accordance to ASHRAE guideline polynomial curve.

Performance Curve Data

Condensing Temperature 35°C

Evaporating Temperature °C	Cooling Capacity W	Power W	Current A	Gas Flow Rate kg/h	Efficiency W/W
-15	404	196	1.62	4.12	2.06
-10	504	213	1.67	5.15	2.37
-5	624	229	1.72	6.39	2.73
0	763	244	1.77	7.84	3.13
5	921	258	1.82	9.49	3.57
10	1099	271	1.87	11.37	4.06

Test Condition: ASHRAE, Fan, HBP. Data in accordance to ASHRAE guideline polynomial curve.

Condensing Temperature 45°C

Evaporating Temperature °C	Cooling Capacity W	Power W	Current A	Gas Flow Rate kg/h	Efficiency W/W
-15	355	206	1.65	3.89	1.73
-10	448	227	1.71	4.92	1.97
-5	558	248	1.78	6.16	2.25
0	686	268	1.85	7.59	2.56
5	832	288	1.92	9.23	2.89
10	995	307	1.99	11.09	3.24

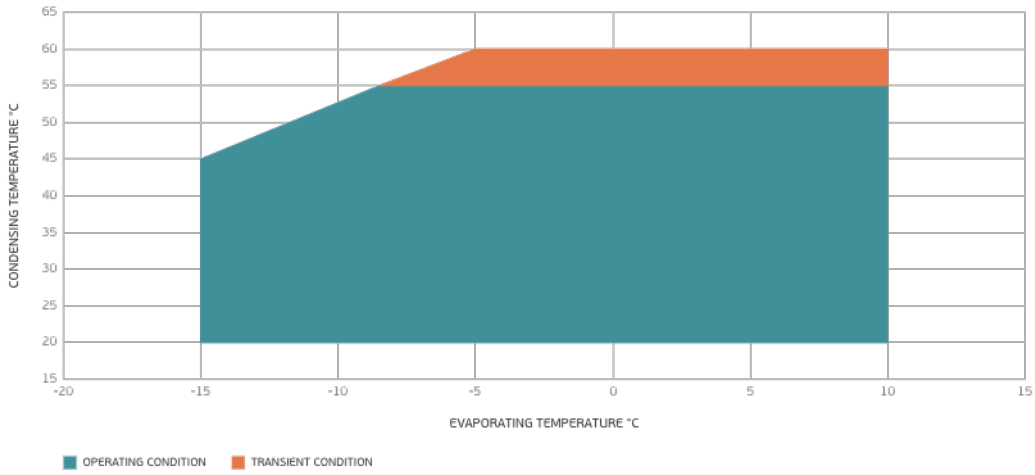
Test Condition: ASHRAE, Fan, HBP. Data in accordance to ASHRAE guideline polynomial curve.

Condensing Temperature 55°C

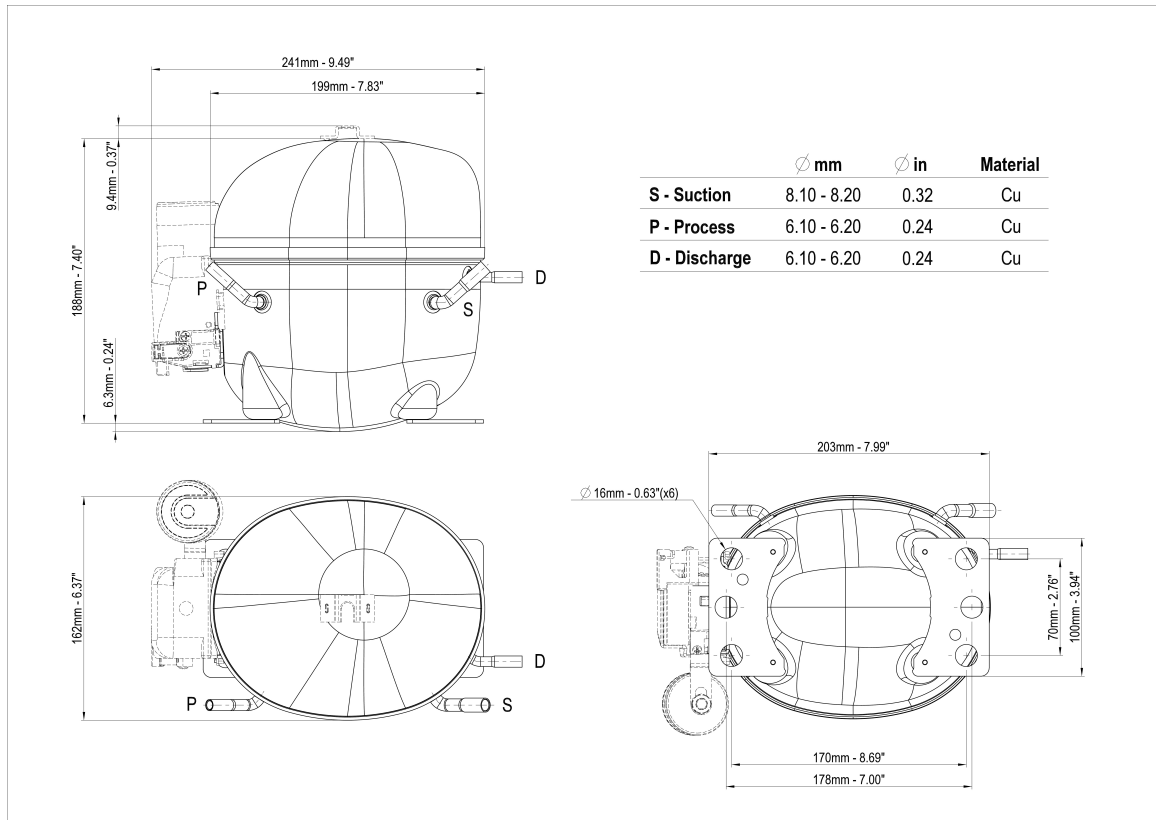
Evaporating Temperature °C	Cooling Capacity W	Power W	Current A	Gas Flow Rate kg/h	Efficiency W/W
-10	395	241	1.76	4.72	1.64
-5	496	267	1.84	5.94	1.86
0	613	292	1.93	7.36	2.1
5	745	316	2.02	8.98	2.36
10	893	340	2.12	10.81	2.63

Test Condition: ASHRAE, Fan, HBP. Data in accordance to ASHRAE guideline polynomial curve.

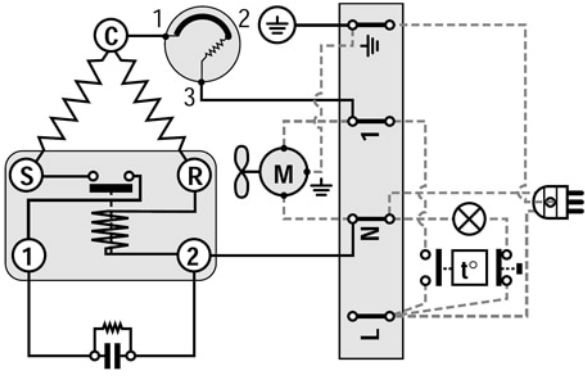
Operating Envelope



External Dimensions



Wiring Diagram



Assembly Instructions

