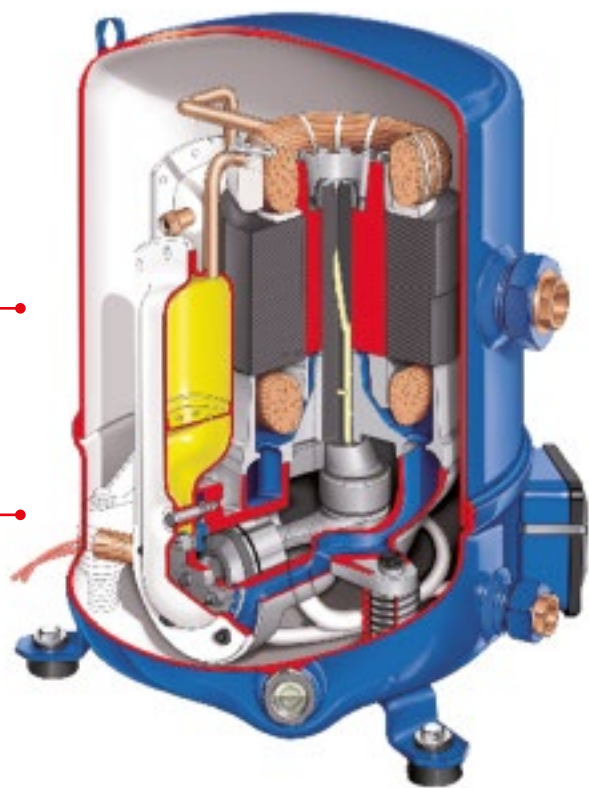


VTZ, Inverter reciprocating compressor

Maneurop® -VTZ reciprocating inverter compressors 3 – 48 kW multirefrigerant units - R404A, R407C and R134a - for commercial and process cooling applications prevent you from oversized and short cycling systems by automatically adapting to the current load in your commercial package air conditioning, chillers and rooftops.

Use the innovative and intelligent compressor package that utilizes variable speed technology to ensure superior efficiency across the entire operating range.



High COP across the whole operating range for great energy savings

One qualified "plug & play" compressor and drive solution

Flexibility and precision cooling within a wide capacity range (30 – 90 rps)

Highly reliable solution

Facts

Applications:

- Packaged air conditioning
- Rooftops
- Chillers
- Close controls
- Heat pumps
- Data centers

- Capacity modulation: adapts motorspeed to varying load continuously, quickly and smoothly
- Tight temperature control $\pm 0.3\text{ }^{\circ}\text{C}$
- Pre-qualified compressor and drive package
- Drive protection
- Multi-refrigerant capability inverter reciprocating compressors
- Advanced energy efficiency cuts the electric bill and easily meets the energy standards

- Improves comfort and process reliability, greater humidity control
- Lower noise level during part-load operations
- Faster time to market, saves time on development and enhances overall system reliability
- Reduces the size of needed power back up systems
- Reduces installation costs with elimination of components

Technical data and ordering

VTZ - Inverter reciprocating compressor - Voltage code G 380 – 480 V and CD302

Ordering

Type	Compressor		Frequency converter				
	Code no.		Model & power	IP class	RFI class	LCP	Code no.
	Single pack	Industrial pack					Single pack
VTZ038-G	120B0001	NA	CD302 - 4.0 kW	IP20	H1	yes	131B3543
	120B0001	NA	CD302 - 4.0 kW	IP20	H1	no	131B3544
	120B0001	NA	CD302 - 4.0 kW	IP20	H2	yes	131B3545
	120B0001	NA	CD302 - 4.0 kW	IP20	H2	no	131B3546
	120B0001	NA	CD302 - 4.0 kW	IP55	H1	yes	131B3547
	120B0001	NA	CD302 - 4.0 kW	IP55	H1	no	131B3548
	120B0001	NA	CD302 - 4.0 kW	IP55	H2	yes	131B3550
VTZ054-G	120B0001	NA	CD302 - 4.0 kW	IP55	H2	no	131B3549
	120B0002	NA	CD302 - 5.5 kW	IP20	H1	yes	131B3552
	120B0002	NA	CD302 - 5.5 kW	IP20	H1	no	131B3553
	120B0002	NA	CD302 - 5.5 kW	IP20	H2	yes	131B3554
	120B0002	NA	CD302 - 5.5 kW	IP20	H2	no	131B3555
	120B0002	NA	CD302 - 5.5 kW	IP55	H1	yes	131B3556
	120B0002	NA	CD302 - 5.5 kW	IP55	H1	no	131B3557
	120B0002	NA	CD302 - 5.5 kW	IP55	H2	yes	131B3558
	120B0002	NA	CD302 - 5.5 kW	IP55	H2	no	131B3559
	120B0003	120B0054	CD302 - 7.5 kW	IP20	H1	yes	131B3560
	120B0003	120B0054	CD302 - 7.5 kW	IP20	H1	no	131B3561
	120B0003	120B0054	CD302 - 7.5 kW	IP20	H2	yes	131B3562
	120B0003	120B0054	CD302 - 7.5 kW	IP20	H2	no	131B3563
	120B0003	120B0054	CD302 - 7.5 kW	IP55	H1	yes	131B3564
	120B0003	120B0054	CD302 - 7.5 kW	IP55	H1	no	131B3565
	120B0003	120B0054	CD302 - 7.5 kW	IP55	H2	yes	131B3566
	120B0003	120B0054	CD302 - 7.5 kW	IP55	H2	no	131B3567
	120B0004	120B0052	CD302 - 11.0 kW	IP20	H1	no	131X2198
	120B0004	120B0052	CD302 - 11.0 kW	IP21	H1	yes	131B3568
	120B0004	120B0052	CD302 - 11.0 kW	IP21	H1	no	131B3569
	120B0004	120B0052	CD302 - 11.0 kW	IP21	H2	yes	131B3570
120B0004	120B0052	CD302 - 11.0 kW	IP21	H2	no	131B3571	
120B0004	120B0052	CD302 - 11.0 kW	IP55	H1	yes	131B3572	
120B0004	120B0052	CD302 - 11.0 kW	IP55	H1	no	131B3573	
120B0004	120B0052	CD302 - 11.0 kW	IP55	H2	yes	131B3574	
120B0004	120B0052	CD302 - 11.0 kW	IP55	H2	no	131B3575	
VTZ171-G	120B0005	120B0055	CD302 - 15.0 kW	IP20	H1	no	131X2199
	120B0005	120B0055	CD302 - 15.0 kW	IP21	H1	yes	131B3576
	120B0005	120B0055	CD302 - 15.0 kW	IP21	H1	no	131B3577
	120B0005	120B0055	CD302 - 15.0 kW	IP21	H2	yes	131B3578
	120B0005	120B0055	CD302 - 15.0 kW	IP21	H2	no	-
	120B0005	120B0055	CD302 - 15.0 kW	IP55	H1	yes	131B3580
	120B0005	120B0055	CD302 - 15.0 kW	IP55	H1	no	-
	120B0005	120B0055	CD302 - 15.0 kW	IP55	H2	yes	131B3582
VTZ215-G	120B0006	120B0056	CD302 - 18.5 kW	IP55	H2	no	131B3583
	120B0006	120B0056	CD302 - 18.5 kW	IP20	H1	no	131X2200
	120B0006	120B0056	CD302 - 18.5 kW	IP21	H1	yes	131B3584
	120B0006	120B0056	CD302 - 18.5 kW	IP21	H1	no	131B3585
	120B0006	120B0056	CD302 - 18.5 kW	IP21	H2	yes	131B3586
	120B0006	120B0056	CD302 - 18.5 kW	IP21	H2	no	131B3587
	120B0006	120B0056	CD302 - 18.5 kW	IP55	H1	yes	131B3588
	120B0006	120B0056	CD302 - 18.5 kW	IP55	H1	no	131B3589
120B0006	120B0056	CD302 - 18.5 kW	IP55	H2	yes	131B3590	
120B0006	120B0056	CD302 - 18.5 kW	IP55	H2	no	131B3591	

Technical data and ordering

VTZ - Inverter reciprocating compressor - Voltage code J 200 - 240 V and CD302

Ordering

Type	Compressor		Frequency converter				
	Code no.		Model and power	IP class	RFI class	LCP	Code no.
	Single pack	Industrial pack					Single pack
VTZ038-J	120B0029	NA	CD302 - 4.0 kW	IP20	H1	yes	131B5347
	120B0029	NA	CD302 - 4.0 kW	IP20	-	no	131B5348
	120B0029	NA	CD302 - 4.0 kW	IP20	H2	yes	131B5349
	120B0029	NA	CD302 - 4.0 kW	IP20	H2	no	131B5350
	120B0029	NA	CD302 - 4.0 kW	IP55	H1	yes	-
	120B0029	NA	CD302 - 4.0 kW	IP55	-	no	-
	120B0029	NA	CD302 - 4.0 kW	IP55	H2	yes	-
VTZ054-J	120B0030	NA	CD302 - 5.5 kW	IP21	H1	yes	131B5351
	120B0030	NA	CD302 - 5.5 kW	IP21	-	no	131B5352
	120B0030	NA	CD302 - 5.5 kW	IP21	H2	yes	131B5355
	120B0030	NA	CD302 - 5.5 kW	IP21	H2	no	131B5356
	120B0030	NA	CD302 - 5.5 kW	IP55	H1	yes	-
	120B0030	NA	CD302 - 5.5 kW	IP55	-	no	131B5354
	120B0030	NA	CD302 - 5.5 kW	IP55	H2	yes	131B5357
VTZ086-J	120B0031	NA	CD302 - 7.5 kW	IP21	H1	yes	131B5009
	120B0031	NA	CD302 - 7.5 kW	IP21	-	no	131B5359
	120B0031	NA	CD302 - 7.5 kW	IP21	H2	yes	-
	120B0031	NA	CD302 - 7.5 kW	IP21	H2	no	131B5360
	120B0031	NA	CD302 - 7.5 kW	IP55	H1	yes	131B5361
	120B0031	NA	CD302 - 7.5 kW	IP55	-	no	131B5362
	120B0031	NA	CD302 - 7.5 kW	IP55	H2	yes	131B5363
VTZ121-J	120B0032	tbd	CD302 - 11.0 kW	IP21	H1	yes	131B5365
	120B0032	tbd	CD302 - 11.0 kW	IP21	H1	no	-
	120B0032	tbd	CD302 - 11.0 kW	IP21	H2	yes	131B5367
	120B0032	tbd	CD302 - 11.0 kW	IP21	H2	no	131B5368
	120B0032	tbd	CD302 - 11.0 kW	IP55	H1	yes	131B5369
	120B0032	tbd	CD302 - 11.0 kW	IP55	H1	no	131B5370
	120B0032	tbd	CD302 - 11.0 kW	IP55	H2	yes	131B5371
	120B0032	tbd	CD302 - 11.0 kW	IP55	H2	no	131B5372

Technical data and ordering

VTZ - Inverter reciprocating compressor

Electrical specification

Supply voltage	Compressor Type	Nominal motor power [kW]	RW [Ohm]	RT [Ohm]	RLA [A]	MMT [A]	LRA [A]
200 – 240 V	VTZ038-J	3.59	0.31	0.65	13.5	17	69
	VTZ054-J	5	0.215	0.44	20	25	93
	VTZ086-J	7.8	0.158	0.317	32.5	40.6	88
	VTZ121-J	12.5	0.095	0.156	50	64.4	160
380 – 480 V	VTZ038-G	3.59	1.684	3.37	7.35	9.2	30.5
	VTZ054-G	4.95	1.039	2.08	12	15	47
	VTZ086-G	7.8	0.685	1.37	16	20	74
	VTZ121-G	11.66	0.294	0.59	23.2	29	139
	VTZ171-G	16	0.337	0.67	30.5	38.1	130
	VTZ215-G	21.3	0.236	0.47	40.8	51	197

RW: Winding resistance per winding (in CD302 parameter list)

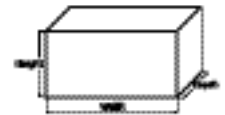
RT: Winding resistance as measured at motor terminals

RLA: Rated load current with R404A at 5 – 60 °C

MMT: Maximum must trip current

LRA: Locked rotor current

Note that parameter 1-30 in the frequency converter settings reflects the winding resistance per winding
This is not the same value as measured at the motor terminals



VTZ - Inverter reciprocating compressor

Frequency converter single pack

Drive supply voltage	Drive supply voltage code	Drive power [kW]	IP20			IP21			IP55		
			Drive enclosure	Overall dimension (H x W x L) [mm]	Weight [kg]	Drive enclosure	Overall dimension (H x W x L) [mm]	Weight [kg]	Drive enclosure	Overall dimension (H x W x L) [mm]	Weight [kg]
200 – 240 / 3 / 50 – 60	T2	3.7	A3	290x390x200	6.6	–	–	–	–	–	–
	T2	5.5	–	–	–	B1	346x810x320	23	B1	346x810x320	23
	T2	7.5	–	–	–	B1	346x810x320	23	B1	346x810x320	23
	T2	11	–	–	–	B2	346x810x320	28	B2	346x810x320	28
380 – 480 / 3 / 50 – 60	T4	4	A2	290x390x160	5	–	–	–	A5	335x550x280	15
	T4	5.5	A3	290x390x200	6.6	–	–	–	A5	335x550x280	15
	T4	7.5	A3	290x390x200	6.6	–	–	–	A5	335x550x280	15
	T4	11	B3	349x500x330	13	B1	346x810x320	23	B1	346x810x320	23
	T4	15	B3	349x500x330	13	B1	346x810x320	23	B1	346x810x320	23
	T4	18.5	B4	346x810x320	24	B2	346x810x320	28	B2	346x810x320	28
	T4	22	–	–	–	B2	346x810x320	28	B2	346x810x320	28

Dimensions are given with drives in delivery position, without black plastic pallet

Technical data and ordering

VTZ - Inverter reciprocating compressor - R134a - 380 – 480 V

Performance table

Type	[rpm]	Te	-15		-10		-5		0		5		10		15	
			Tc	Qo	Pe	Qo	Pe	Qo	Pe	Qo	Pe	Qo	Pe	Qo	Pe	Qo
VTZ038-G	2100	40	800	0.52	1000	0.60	1300	0.67	1800	0.72	2300	0.77	2900	0.80	3700	0.82
	2100	50	600	0.52	800	0.61	1100	0.70	1500	0.77	1900	0.84	2500	0.90	3200	0.94
	2100	60	-	-	-	-	900	0.73	1200	0.82	1600	0.90	2100	0.98	2700	1.04
	3600	40	1400	0.95	1900	1.09	2500	1.20	3300	1.30	4200	1.39	5400	1.45	6800	1.49
	3600	50	1100	0.95	1500	1.12	2000	1.27	2700	1.40	3600	1.52	4600	1.62	5900	1.70
	3600	60	-	-	-	-	1600	1.31	2200	1.48	2900	1.63	3800	1.76	4900	1.88
	5400	40	2100	1.41	2800	1.60	3800	1.77	4900	1.92	6400	2.04	8100	2.13	10300	2.19
	5400	50	1600	1.40	2300	1.64	3100	1.87	4100	2.06	5400	2.24	7000	2.38	8900	2.50
5400	60	-	-	-	-	2400	1.92	3300	2.17	4400	2.40	5800	2.60	7500	2.77	
VTZ054-G	2100	40	1200	0.73	1600	0.81	2100	0.90	2700	0.98	3400	1.06	4200	1.13	5100	1.20
	2100	50	900	0.76	1300	0.86	1700	0.96	2300	1.07	2900	1.17	3600	1.27	4500	1.37
	2100	60	-	-	-	-	1400	1.02	1900	1.14	2400	1.27	3000	1.40	3800	1.52
	3600	40	2200	1.32	2900	1.47	3800	1.63	4900	1.78	6300	1.92	7800	2.05	9500	2.16
	3600	50	1700	1.37	2400	1.56	3200	1.75	4200	1.93	5300	2.12	6700	2.30	8300	2.47
	3600	60	-	-	-	-	2600	1.84	3500	2.07	4500	2.30	5600	2.53	7000	2.76
	5400	40	3300	1.93	4400	2.17	5800	2.39	7500	2.62	9500	2.83	11800	3.02	14400	3.19
	5400	50	2600	2.02	3700	2.29	4900	2.57	6400	2.85	8100	3.12	10200	3.39	12500	3.64
5400	60	-	-	-	-	4000	2.71	5200	3.04	6800	3.38	8500	3.71	10600	4.04	
VTZ086-G	1800	40	1500	0.99	2100	1.12	2800	1.23	3600	1.32	4600	1.39	5800	1.45	7200	1.50
	1800	50	1200	1.00	1700	1.16	2300	1.31	3000	1.44	3900	1.55	5000	1.65	6200	1.74
	1800	60	-	-	-	-	1800	1.36	2500	1.52	3200	1.67	4100	1.80	5200	1.93
	3600	40	3200	2.10	4500	2.37	6000	2.59	7900	2.77	10000	2.92	12600	3.07	15600	3.20
	3600	50	2500	2.11	3600	2.46	5000	2.77	6600	3.03	8500	3.25	10800	3.46	13400	3.66
	3600	60	-	-	-	-	3900	2.87	5300	3.21	6900	3.52	8900	3.81	11200	4.08
	5400	40	4900	3.04	6800	3.49	9100	3.85	11900	4.13	15200	4.35	19100	4.52	23700	4.65
	5400	50	3800	3.06	5500	3.61	7600	4.08	10000	4.48	12900	4.82	16300	5.11	20300	5.38
5400	60	-	-	-	-	5900	4.26	8000	4.74	10500	5.18	13500	5.57	16900	5.95	
VTZ121-G	1800	40	2400	1.39	3100	1.54	4000	1.69	5000	1.83	6300	1.96	7700	2.08	9400	2.19
	1800	50	2000	1.49	2700	1.68	3400	1.86	4300	2.04	5400	2.21	6700	2.37	8300	2.53
	1800	60	-	-	-	-	2800	1.99	3600	2.21	4500	2.43	5700	2.64	7000	2.84
	3600	40	5100	2.92	6600	3.23	8400	3.54	10500	3.83	13100	4.11	16200	4.36	19700	4.60
	3600	50	4300	3.13	5600	3.52	7200	3.90	9100	4.28	11400	4.64	14200	4.98	17400	5.30
	3600	60	-	-	-	-	5900	4.19	7500	4.65	9500	5.10	11900	5.54	14800	5.97
	5100	40	7300	4.05	9400	4.49	11900	4.92	15000	5.34	18700	5.72	23100	6.08	28200	6.38
	5100	50	6100	4.35	7900	4.88	10200	5.41	13000	5.93	16300	6.45	20200	6.94	24800	7.40
5100	60	-	-	-	-	8300	5.82	10700	6.45	13600	7.08	17000	7.70	21100	8.31	
VTZ171-G	1800	40	2900	2.09	4000	2.31	5500	2.49	7200	2.64	9200	2.76	11600	2.86	14400	2.96
	1800	50	2100	2.12	3200	2.44	4400	2.71	5900	2.94	7700	3.13	9800	3.29	12300	3.43
	1800	60	-	-	-	-	3400	2.84	4700	3.18	6200	3.46	8000	3.71	10200	3.92
	3600	40	6500	4.23	9000	4.76	12100	5.22	15700	5.62	20000	5.97	25000	6.28	30800	6.55
	3600	50	4900	4.22	7200	4.93	9900	5.55	13100	6.10	16900	6.60	21400	7.03	26600	7.43
	3600	60	-	-	-	-	7600	5.69	10400	6.43	13700	7.10	17600	7.71	22100	8.25
	5400	40	10000	6.22	13800	7.25	18300	8.19	23600	9.02	29900	9.73	37200	10.31	45700	10.74
	5400	50	7600	6.19	11000	7.32	15100	8.44	19900	9.51	25600	10.54	32300	11.50	40000	12.38
5400	60	-	-	-	-	11800	8.62	16000	9.80	21000	11.00	26900	12.21	33800	13.41	
VTZ215-G	1800	40	4300	2.77	5700	3.07	7500	3.33	9500	3.56	11900	3.79	14800	4.03	18000	4.29
	1800	50	3500	2.88	4800	3.28	6300	3.63	8200	3.94	10300	4.23	12900	4.50	15800	4.78
	1800	60	-	-	-	-	5100	3.82	6700	4.25	8600	4.63	10900	4.99	13500	5.33
	3600	40	9300	5.87	12400	6.51	16200	7.08	20600	7.60	25800	8.10	31800	8.61	38700	9.14
	3600	50	7500	6.07	10300	6.93	13700	7.68	17700	8.35	22400	8.96	27700	9.54	33900	10.11
	3600	60	-	-	-	-	11100	8.07	14600	8.97	18700	9.77	23500	10.49	29000	11.17
	5400	40	14000	8.66	18800	9.56	24500	10.38	31200	11.16	39100	11.92	48300	12.70	58900	13.54
	5400	50	11300	8.97	15600	10.16	20700	11.23	26800	12.22	33900	13.17	42200	14.09	51900	15.02
5400	60	-	-	-	-	16800	11.83	22100	13.12	28300	14.32	35700	15.46	44300	16.58	

To: Evaporating temperature in [°C]

Tc: Condensing temperature in [°C]

Qo: Cooling capacity in [W]

Pe: Power input in [kW]

Subcooling: 0 K

Superheat: 10 K

Voltage code: G: 380 – 480 V / 3 / 50 and 60 Hz



For more information and performance with other refrigerants, please refer to Coolselector® 2 at coolselector.danfoss.com or contact Danfoss.

Technical data and ordering

VTZ - Inverter reciprocating compressor - R404A - 380 – 480 V

Performance table

Type	[rpm]	Te	-30		-25		-20		-15		-10		-5		0		5	
			Qo	Pe	Qo	Pe	Qo	Pe	Qo	Pe	Qo	Pe	Qo	Pe	Qo	Pe	Qo	Pe
VTZ038-G	2100	20	1100	0.61	1400	0.67	1800	0.71	2400	0.74	2900	0.76	3700	0.77	-	-	-	-
	2100	30	800	0.64	1100	0.72	1500	0.79	1900	0.85	2400	0.89	3000	0.93	3700	0.95	4600	0.96
	2100	40	600	0.64	900	0.75	1100	0.85	1500	0.94	1900	1.02	2400	1.09	3000	1.14	3700	1.18
	2100	50	400	0.62	600	0.76	800	0.90	1100	1.02	1500	1.14	1900	1.24	2400	1.33	2900	1.40
	2100	60	-	-	-	-	500	0.92	700	1.08	1000	1.23	1300	1.37	1700	1.50	2200	1.61
	3600	20	1700	1.08	2300	1.20	3000	1.29	3900	1.37	4900	1.43	6100	1.45	-	-	-	-
	3600	30	1400	1.10	1900	1.26	2600	1.40	3400	1.52	4300	1.62	5400	1.69	6700	1.74	8200	1.75
	3600	40	1000	1.10	1500	1.30	2100	1.49	2800	1.66	3600	1.81	4600	1.93	5700	2.03	7000	2.11
	3600	50	600	1.04	1000	1.29	1500	1.52	2100	1.75	2800	1.95	3600	2.14	4600	2.30	5800	2.44
	3600	60	-	-	-	-	1000	1.47	1400	1.75	2000	2.02	2600	2.27	3400	2.50	4400	2.70
	5400	20	2200	1.76	3100	2.01	4200	2.22	5500	2.39	7000	2.51	8800	2.57	-	-	-	-
	5400	30	1700	1.74	2500	2.08	3500	2.38	4600	2.64	6000	2.86	7700	3.03	9500	3.15	11700	3.22
	5400	40	1100	1.60	1900	2.03	2700	2.43	3700	2.78	5000	3.10	6400	3.37	8100	3.60	10000	3.78
	5400	50	600	1.34	1200	1.86	1900	2.34	2800	2.79	3800	3.21	5100	3.58	6500	3.92	8200	4.20
5400	60	-	-	-	-	1200	2.11	1900	2.66	2700	3.17	3600	3.65	4800	4.09	6200	4.49	
VTZ054-G	2100	20	1500	0.88	2000	0.97	2600	1.05	3400	1.11	4300	1.16	5400	1.19	-	-	-	-
	2100	30	1200	0.94	1600	1.06	2100	1.16	2800	1.26	3600	1.34	4500	1.40	5700	1.45	7100	1.48
	2100	40	900	0.96	1300	1.11	1700	1.25	2200	1.38	2900	1.50	3700	1.60	4700	1.69	5800	1.76
	2100	50	700	0.96	900	1.14	1300	1.32	1700	1.49	2200	1.64	2900	1.79	3700	1.92	4600	2.03
	2100	60	-	-	-	-	900	1.37	1200	1.57	1600	1.77	2100	1.96	2700	2.13	3500	2.29
	3600	20	2500	1.58	3300	1.76	4300	1.91	5400	2.05	6900	2.16	8600	2.26	-	-	-	-
	3600	30	2100	1.67	2800	1.89	3700	2.09	4800	2.28	6100	2.44	7600	2.59	9400	2.72	11400	2.82
	3600	40	1700	1.69	2300	1.96	3100	2.22	4000	2.46	5100	2.69	6500	2.90	8000	3.09	9900	3.25
	3600	50	1200	1.64	1700	1.97	2400	2.29	3100	2.60	4100	2.89	5200	3.17	6500	3.42	8100	3.66
	3600	60	-	-	-	-	1600	2.29	2200	2.66	2900	3.03	3800	3.37	4900	3.71	6200	4.02
	5400	20	3700	2.45	4900	2.76	6200	3.06	7900	3.34	9900	3.61	12200	3.84	-	-	-	-
	5400	30	3000	2.47	4000	2.84	5300	3.21	6800	3.57	8600	3.92	10700	4.26	13200	4.58	16100	4.87
	5400	40	2200	2.43	3100	2.85	4200	3.28	5500	3.72	7100	4.16	9000	4.59	11200	5.02	13800	5.43
	5400	50	1400	2.30	2200	2.77	3100	3.26	4200	3.77	5500	4.29	7100	4.82	9000	5.35	11300	5.87
5400	60	-	-	-	-	1900	3.15	2800	3.73	3900	4.32	5100	4.94	6700	5.56	8600	6.19	
VTZ086-G	1800	20	1800	1.18	2600	1.31	3500	1.42	4700	1.49	6000	1.54	7700	1.56	-	-	-	-
	1800	30	1300	1.21	2000	1.40	2700	1.56	3700	1.69	4800	1.80	6200	1.87	7800	1.92	9600	1.94
	1800	40	900	1.16	1400	1.43	2000	1.66	2800	1.85	3700	2.02	4800	2.16	6100	2.27	7700	2.35
	1800	50	600	1.04	1000	1.38	1500	1.69	2000	1.97	2800	2.21	3600	2.42	4700	2.60	5900	2.75
	1800	60	-	-	-	-	900	1.67	1400	2.03	1900	2.36	2600	2.65	3400	2.91	4300	3.14
	3600	20	4300	2.46	5800	2.74	7600	2.97	9800	3.16	12400	3.29	15500	3.38	-	-	-	-
	3600	30	3300	2.53	4600	2.91	6200	3.25	8100	3.54	10400	3.78	13100	3.96	16300	4.10	19900	4.18
	3600	40	2300	2.46	3400	2.97	4800	3.42	6500	3.82	8400	4.17	10800	4.47	13500	4.72	16700	4.91
	3600	50	1400	2.24	2300	2.87	3500	3.45	4800	3.98	6500	4.46	8400	4.88	10700	5.25	13400	5.56
	3600	60	-	-	-	-	2200	3.34	3200	4.00	4500	4.62	6000	5.18	7900	5.68	10100	6.13
	5400	20	6200	3.89	8300	4.34	11000	4.74	14100	5.10	17900	5.40	22300	5.66	-	-	-	-
	5400	30	5000	4.00	6900	4.59	9300	5.13	12100	5.61	15500	6.05	19400	6.44	23900	6.78	29100	7.07
	5400	40	3600	3.91	5400	4.66	7400	5.35	9900	5.99	12800	6.58	16200	7.11	20200	7.60	24700	8.03
	5400	50	2300	3.59	3700	4.51	5500	5.38	7500	6.19	10000	6.94	12800	7.64	16200	8.28	20000	8.87
5400	60	-	-	-	-	3400	5.16	5100	6.15	7000	7.09	9300	7.96	12000	8.78	15100	9.55	



For more information and performance with other refrigerants, please refer to Coolselector® 2 at coolselector.danfoss.com or contact Danfoss.

01
02
03
04
05
06
07
08
09
10
11
12
13
14
15
16
17
18
19
20

Technical data and ordering

VTZ - Inverter reciprocating compressor - R404A - 380 – 480 V

Performance table

Type	[rpm]	Te		-30		-25		-20		-15		-10		-5		0		5	
		Tc	Qo	Pe	Qo	Pe	Qo	Pe	Qo	Pe	Qo	Pe	Qo	Pe	Qo	Pe	Qo	Pe	
VTZ121-G	1800	20	2700	1.89	3700	2.05	4800	2.19	6200	2.30	7900	2.39	10000	2.46	-	-	-	-	
	1800	30	2300	2.03	3100	2.25	4100	2.44	5400	2.60	6900	2.74	8700	2.85	10800	2.95	13300	3.02	
	1800	40	1800	2.10	2500	2.38	3400	2.64	4400	2.86	5700	3.06	7300	3.24	9100	3.39	11300	3.52	
	1800	50	1200	2.08	1800	2.44	2500	2.77	3400	3.07	4400	3.35	5700	3.60	7300	3.82	9100	4.01	
	1800	60	-	-	-	-	1700	2.82	2300	3.21	3100	3.57	4100	3.90	5300	4.20	6700	4.48	
	3600	20	5500	3.69	7500	4.09	9900	4.47	12900	4.85	16400	5.21	20600	5.56	-	-	-	-	
	3600	30	4500	3.88	6200	4.36	8400	4.82	11000	5.26	14100	5.70	17900	6.12	22300	6.54	27400	6.96	
	3600	40	3500	3.99	5000	4.56	6800	5.11	9000	5.64	11800	6.17	15000	6.68	18900	7.18	23400	7.68	
	3600	50	2600	4.00	3800	4.68	5200	5.33	7000	5.98	9300	6.60	12000	7.21	15200	7.81	19100	8.41	
	3600	60	-	-	-	-	3700	5.49	5000	6.25	6700	6.99	8800	7.72	11400	8.43	14600	9.14	
	5100	20	8100	5.47	10800	6.11	14200	6.73	18300	7.32	23400	7.85	29400	8.31	-	-	-	-	
	5100	30	6400	5.63	8800	6.38	11700	7.14	15300	7.90	19800	8.64	25000	9.34	31300	9.99	39000	10.59	
	5100	40	4900	5.67	6900	6.50	9400	7.38	12400	8.29	16200	9.20	20700	10.10	26100	10.99	33000	11.59	
	5100	50	3400	5.64	5100	6.53	7100	7.49	9600	8.51	12600	9.57	16400	10.65	20900	11.74	26700	12.39	
	5100	60	-	-	-	-	4900	7.52	6800	8.62	9100	9.79	12100	11.02	15700	12.29	20100	12.99	
VTZ171-G	1800	20	3900	2.31	5400	2.59	7200	2.83	9400	3.04	12000	3.20	15200	3.31	-	-	-	-	
	1800	30	2900	2.32	4200	2.65	5700	2.96	7600	3.24	9800	3.47	12400	3.67	15500	3.82	19100	3.91	
	1800	40	2100	2.31	3100	2.72	4300	3.11	5900	3.48	7700	3.81	9900	4.10	12500	4.36	15500	4.57	
	1800	50	1400	2.23	2200	2.74	3100	3.23	4300	3.70	5800	4.14	7500	4.56	9600	4.94	12100	5.28	
	1800	60	-	-	-	-	2100	3.25	2900	3.84	4000	4.41	5300	4.97	6900	5.49	8800	5.98	
	3600	20	7700	4.52	10400	5.12	13800	5.67	18100	6.16	23200	6.61	29200	7.03	-	-	-	-	
	3600	30	6200	4.73	8700	5.49	11700	6.16	15400	6.77	19900	7.32	25200	7.82	31400	8.28	38600	8.71	
	3600	40	4700	4.78	6800	5.75	9500	6.61	12600	7.39	16400	8.08	21000	8.71	26300	9.28	32500	9.81	
	3600	50	3100	4.54	4900	5.76	7100	6.87	9700	7.87	12900	8.77	16600	9.58	21000	10.31	26200	10.98	
	3600	60	-	-	-	-	4700	6.81	6700	8.08	9200	9.24	12100	10.29	15600	11.24	19700	12.10	
	5400	20	11300	7.31	15900	8.36	21500	9.26	28000	10.05	35600	10.73	44300	11.32	-	-	-	-	
	5400	30	8900	7.54	13000	8.95	17900	10.20	23700	11.32	30400	12.32	38000	13.21	46600	14.03	56100	14.77	
	5400	40	6400	7.24	10000	9.03	14200	10.66	19300	12.14	25000	13.50	31600	14.73	39000	15.87	47200	16.93	
	5400	50	3800	6.29	6800	8.51	10400	10.55	14700	12.44	19500	14.17	25000	15.78	31200	17.28	38100	18.69	
	5400	60	-	-	-	-	6500	9.78	9900	12.09	13900	14.25	18300	16.27	23300	18.16	28900	19.95	
VTZ215-G	1800	20	4800	3.00	6700	3.31	9000	3.58	11900	3.79	15400	3.95	19500	4.04	-	-	-	-	
	1800	30	3700	3.18	5300	3.60	7400	3.97	9800	4.30	12800	4.57	16300	4.79	20400	4.94	25200	5.02	
	1800	40	2700	3.24	4100	3.78	5800	4.28	7800	4.74	10300	5.15	13300	5.51	16800	5.80	20800	6.03	
	1800	50	1800	3.15	2900	3.83	4200	4.48	5900	5.09	7900	5.65	10300	6.16	13200	6.62	16500	7.02	
	1800	60	-	-	-	-	2800	4.52	4100	5.30	5600	6.03	7400	6.72	9700	7.36	12300	7.95	
	3600	20	9200	5.45	12700	6.26	17200	7.01	22700	7.68	29400	8.27	37400	8.76	-	-	-	-	
	3600	30	7600	5.86	10700	6.85	14600	7.79	19300	8.68	25100	9.49	32100	10.23	40300	10.86	49800	11.38	
	3600	40	5900	6.12	8600	7.28	11900	8.41	15900	9.49	20800	10.53	26700	11.49	33700	12.38	41900	13.16	
	3600	50	4100	6.24	6400	7.55	9200	8.85	12500	10.13	16500	11.37	21300	12.56	27100	13.68	33900	14.72	
	3600	60	-	-	-	-	6300	9.13	8900	10.58	12000	12.02	15700	13.41	20300	14.76	25700	16.04	
	5400	20	15200	9.71	20500	11.10	27000	12.40	34800	13.62	44100	14.73	55000	15.73	-	-	-	-	
	5400	30	12200	9.94	17200	11.64	23200	13.30	30300	14.90	38800	16.44	48700	17.91	60200	19.30	73400	20.59	
	5400	40	9000	9.79	13400	11.78	18700	13.76	25000	15.73	32500	17.67	41200	19.58	51400	21.44	63200	23.24	
	5400	50	5800	9.21	9500	11.46	13900	13.73	19100	16.03	25400	18.35	32900	20.66	41600	22.97	51800	25.26	
	5400	60	-	-	-	-	8900	13.17	13000	15.77	17900	18.43	23800	21.13	30900	23.85	39300	26.60	

To: Evaporating temperature in [°C]

Tc: Condensing temperature in [°C]

Qo: Cooling capacity in [W]

Pe: Power input in [kW]

Subcooling: 0 K

Superheat: 10 K

Voltage code: G: 380 – 480 V / 3 / 50 and 60 Hz

) Error 3: Evaporating temperature too high. Approximative result



For more information and performance with other refrigerants, please refer to Coolselector® 2 at coolselector.danfoss.com or contact Danfoss.

Technical data and ordering

VTZ - Inverter reciprocating compressor - R407C - 380 – 480 V

Performance table

Type	[rpm]	Te	-15		-10		-5		0		5		10		15	
		Tc	Qo	Pe	Qo	Pe	Qo	Pe	Qo	Pe	Qo	Pe	Qo	Pe	Qo	Pe
VTZ038-G	2100	20	2000	0.69	2600	0.71	3300	0.73	4100	0.72	-	-	-	-	-	-
	2100	30	1700	0.77	2200	0.84	2800	0.89	3600	0.91	4400	0.93	5400	0.93	-	-
	2100	40	1300	0.82	1800	0.93	2300	1.01	3000	1.08	3700	1.13	4600	1.17	5600	1.20
	2100	50	-	-	1400	0.98	1900	1.11	2400	1.22	3100	1.32	3800	1.40	4700	1.47
	2100	60	-	-	-	-	1400	1.18	1800	1.34	2400	1.48	3000	1.61	3800	1.73
	3600	20	3200	1.11	4200	1.19	5400	1.25	6900	1.30	-	-	-	-	-	-
	3600	30	2700	1.24	3600	1.35	4700	1.45	6000	1.53	7500	1.59	9400	1.63	-	-
	3600	40	2200	1.34	3000	1.49	3900	1.63	5100	1.75	6400	1.86	8000	1.94	9900	2.01
	3600	50	-	-	2400	1.60	3300	1.79	4200	1.96	5400	2.11	6700	2.25	8400	2.36
	3600	60	-	-	-	-	2600	1.92	3400	2.14	4300	2.35	5500	2.54	6900	2.71
	5400	20	4600	1.79	6000	2.00	7600	2.19	9700	2.35	-	-	-	-	-	-
	5400	30	4000	1.96	5200	2.22	6700	2.47	8600	2.70	10900	2.91	13600	3.08	-	-
	5400	40	3300	2.06	4400	2.38	5700	2.68	7400	2.98	9400	3.26	11800	3.51	14700	3.73
	5400	50	-	-	3500	2.49	4600	2.85	6100	3.21	7800	3.55	9900	3.88	12500	4.18
	5400	60	-	-	-	-	3600	2.98	4800	3.40	6200	3.81	8000	4.21	10200	4.59
VTZ054-G	2100	20	2700	0.90	3500	0.94	4400	0.97	5500	0.99	-	-	-	-	-	-
	2100	30	2300	1.03	3000	1.11	3800	1.17	4800	1.21	6000	1.24	7500	1.26	-	-
	2100	40	1900	1.13	2500	1.26	3200	1.36	4100	1.45	5100	1.51	6400	1.56	7900	1.60
	2100	50	-	-	1900	1.37	2500	1.53	3300	1.67	4200	1.79	5300	1.88	6600	1.96
	2100	60	-	-	-	-	1900	1.65	2500	1.86	3300	2.04	4200	2.20	5200	2.33
	3600	20	4700	1.66	6100	1.79	7800	1.90	9900	1.99	-	-	-	-	-	-
	3600	30	4000	1.82	5200	2.00	6800	2.16	8700	2.32	10900	2.46	13500	2.58	-	-
	3600	40	3300	1.96	4400	2.19	5700	2.41	7400	2.62	9400	2.83	11700	3.02	14400	3.20
	3600	50	-	-	3600	2.33	4700	2.62	6100	2.89	7800	3.17	9900	3.43	12300	3.69
	3600	60	-	-	-	-	3700	2.76	4900	3.10	6300	3.45	8100	3.79	10200	4.13
	5400	20	6600	2.70	8600	3.01	11200	3.28	14300	3.51	-	-	-	-	-	-
	5400	30	5700	2.92	7500	3.32	9700	3.70	12400	4.05	15800	4.37	19800	4.63	-	-
	5400	40	4700	3.05	6300	3.53	8200	4.01	10600	4.48	13500	4.93	17000	5.34	21200	5.69
	5400	50	-	-	5200	3.63	6800	4.20	8800	4.78	11300	5.35	14300	5.89	17900	6.41
	5400	60	-	-	-	-	5400	4.26	7100	4.93	9100	5.62	11700	6.29	14700	6.96
VTZ086-G	1800	20	3700	1.14	5000	1.19	6500	1.22	8400	1.24	-	-	-	-	-	-
	1800	30	2900	1.34	3900	1.45	5200	1.53	6700	1.58	8600	1.62	10700	1.65	-	-
	1800	40	2200	1.47	3100	1.67	4100	1.82	5400	1.93	6800	2.02	8600	2.09	10700	2.14
	1800	50	-	-	2300	1.78	3200	2.03	4200	2.23	5500	2.40	6900	2.53	8600	2.63
	1800	60	-	-	-	-	2400	2.13	3300	2.45	4300	2.71	5400	2.93	6800	3.12
	3600	20	6300	2.61	8600	2.76	11500	2.88	14900	2.96	-	-	-	-	-	-
	3600	30	5500	2.86	7600	3.10	10100	3.28	13000	3.42	16500	3.53	20500	3.62	-	-
	3600	40	4600	3.04	6400	3.40	8600	3.69	11200	3.92	14200	4.10	17700	4.25	21700	4.38
	3600	50	-	-	5200	3.61	7100	4.04	9400	4.40	11900	4.69	14800	4.94	18200	5.16
	3600	60	-	-	-	-	5500	4.27	7400	4.80	9500	5.24	11900	5.63	14700	5.97
	5400	20	10200	3.86	13400	4.11	17500	4.31	22600	4.44	-	-	-	-	-	-
	5400	30	8800	4.33	11500	4.69	14900	5.02	19200	5.30	24500	5.52	31100	5.65	-	-
	5400	40	7700	4.72	9900	5.19	12700	5.65	16200	6.07	20700	6.45	26100	6.76	32800	7.00
	5400	50	-	-	8400	5.62	10800	6.19	13700	6.75	17300	7.29	21800	7.77	27300	8.21
	5400	60	-	-	-	-	8900	6.66	11300	7.35	14300	8.04	17900	8.69	22400	9.31



For more information and performance with other refrigerants, please refer to Coolselector® 2 at coolselector.danfoss.com or contact Danfoss.

Technical data and ordering

VTZ - Inverter reciprocating compressor - R407C - 380 – 480 V

Performance table

Type	[rpm]	Te	-15		-10		-5		0		5		10		15	
		Tc	Qo	Pe	Qo	Pe	Qo	Pe	Qo	Pe	Qo	Pe	Qo	Pe	Qo	Pe
VTZ121-G	1800	20	5200	1.66	6900	1.77	8900	1.84	11300	1.85	–	–	–	–	–	–
	1800	30	4400	1.91	5800	2.10	7600	2.25	9700	2.35	12200	2.40	15100	2.39	–	–
	1800	40	3500	2.11	4800	2.39	6400	2.62	8200	2.80	10400	2.94	12900	3.02	15800	3.04
	1800	50	–	–	3900	2.63	5200	2.95	6800	3.21	8600	3.43	10800	3.60	13300	3.71
	1800	60	–	–	–	–	4100	3.23	5400	3.58	6900	3.89	8700	4.15	10900	4.35
	3600	20	11100	3.94	14300	4.27	18200	4.60	22800	4.92	–	–	–	–	–	–
	3600	30	9400	4.21	12200	4.60	15700	4.98	19900	5.34	24800	5.69	30600	6.03	–	–
	3600	40	7800	4.52	10300	5.01	13300	5.47	17100	5.93	21500	6.36	26700	6.77	32700	7.16
	3600	50	–	–	8400	5.36	11100	5.97	14300	6.55	18200	7.11	22800	7.64	28200	8.15
	3600	60	–	–	–	–	8900	6.33	11600	7.09	14900	7.82	18900	8.51	23700	9.18
	5100	20	15400	5.71	19800	6.34	25000	6.98	31300	7.64	–	–	–	–	–	–
	5100	30	13100	6.11	17100	6.81	21900	7.52	27600	8.26	34300	9.02	42200	9.79	–	–
	5100	40	10900	6.48	14400	7.28	18700	8.09	23800	8.92	29900	9.77	37000	10.64	45200	11.52
	5100	50	–	–	11800	7.68	15500	8.62	19900	9.56	25300	10.53	31600	11.51	39000	12.51
	5100	60	–	–	–	–	12400	9.04	16100	10.13	20700	11.23	26100	12.35	32600	13.49
VTZ171-G	1800	20	6900	2.27	9000	2.38	11700	2.45	14800	2.47	–	–	–	–	–	–
	1800	30	6000	2.68	7900	2.88	10300	3.05	13200	3.17	16700	3.24	20800	3.27	–	–
	1800	40	4900	3.00	6600	3.31	8800	3.59	11400	3.84	14500	4.04	18100	4.19	22500	4.28
	1800	50	–	–	5200	3.64	7100	4.05	9300	4.44	12000	4.78	15200	5.08	19000	5.33
	1800	60	–	–	–	–	5300	4.38	7100	4.93	9300	5.44	12000	5.92	15300	6.34
	3600	20	15300	5.05	19600	5.33	24800	5.49	30900	5.50	–	–	–	–	–	–
	3600	30	12900	5.67	16900	6.18	21700	6.59	27400	6.88	34200	7.02	42100	7.00	–	–
	3600	40	10500	6.06	14100	6.82	18400	7.49	23700	8.06	29900	8.50	37200	8.80	45700	8.93
	3600	50	–	–	11300	7.25	15100	8.19	19700	9.04	25300	9.80	31900	10.43	39700	10.91
	3600	60	–	–	–	–	11800	8.69	15700	9.84	20600	10.91	26400	11.88	33300	12.72
	5400	20	21100	7.82	27300	8.46	34800	9.00	43600	9.43	–	–	–	–	–	–
	5400	30	18500	8.77	24500	9.71	31600	10.55	39900	11.31	49600	11.97	60700	12.54	–	–
	5400	40	15600	9.47	21100	10.71	27600	11.87	35300	12.96	44200	13.96	54600	14.89	66400	15.73
	5400	50	–	–	17300	11.40	23100	12.89	30000	14.31	38100	15.66	47400	16.95	58200	18.18
	5400	60	–	–	–	–	18300	13.52	24200	15.29	31300	17.01	39600	18.67	49100	20.29
VTZ215-G	1800	20	9200	2.96	11800	3.13	15100	3.26	18900	3.37	–	–	–	–	–	–
	1800	30	8100	3.48	10500	3.75	13400	3.98	17000	4.16	21200	4.31	26300	4.42	–	–
	1800	40	6800	3.93	8900	4.34	11600	4.70	14700	5.00	18500	5.26	23100	5.47	28400	5.64
	1800	50	–	–	7200	4.82	9500	5.35	12300	5.82	15600	6.23	19600	6.58	24300	6.88
	1800	60	–	–	–	–	7400	5.87	9700	6.54	12500	7.14	15900	7.68	19900	8.15
	3600	20	20700	6.67	26200	7.18	32800	7.63	40600	8.03	–	–	–	–	–	–
	3600	30	17800	7.45	22800	8.14	28900	8.79	36000	9.38	44400	9.92	54100	10.40	–	–
	3600	40	14800	8.04	19300	8.97	24800	9.85	31200	10.68	38800	11.45	47700	12.16	57900	12.81
	3600	50	–	–	15800	9.62	20600	10.78	26300	11.88	33100	12.93	41000	13.92	50300	14.85
	3600	60	–	–	–	–	16400	11.54	21300	12.96	27200	14.33	34200	15.64	42400	16.89
	5400	20	28400	10.93	36500	12.14	46200	13.25	57500	14.22	–	–	–	–	–	–
	5400	30	24600	11.71	32100	13.25	41100	14.75	51600	16.17	63800	17.48	77800	18.64	–	–
	5400	40	20600	12.27	27500	14.11	35700	15.97	45300	17.81	56400	19.60	69300	21.30	84000	22.87
	5400	50	–	–	22700	14.80	30000	16.98	38600	19.20	48600	21.43	60100	23.64	73500	25.78
	5400	60	–	–	–	–	24100	17.85	31600	20.42	40400	23.06	50600	25.73	62500	28.40

To: Evaporating temperature in [°C]

Tc: Condensing temperature in [°C]

Qo: Cooling capacity in [W]

Pe: Power input in [kW]

Subcooling: 0 K

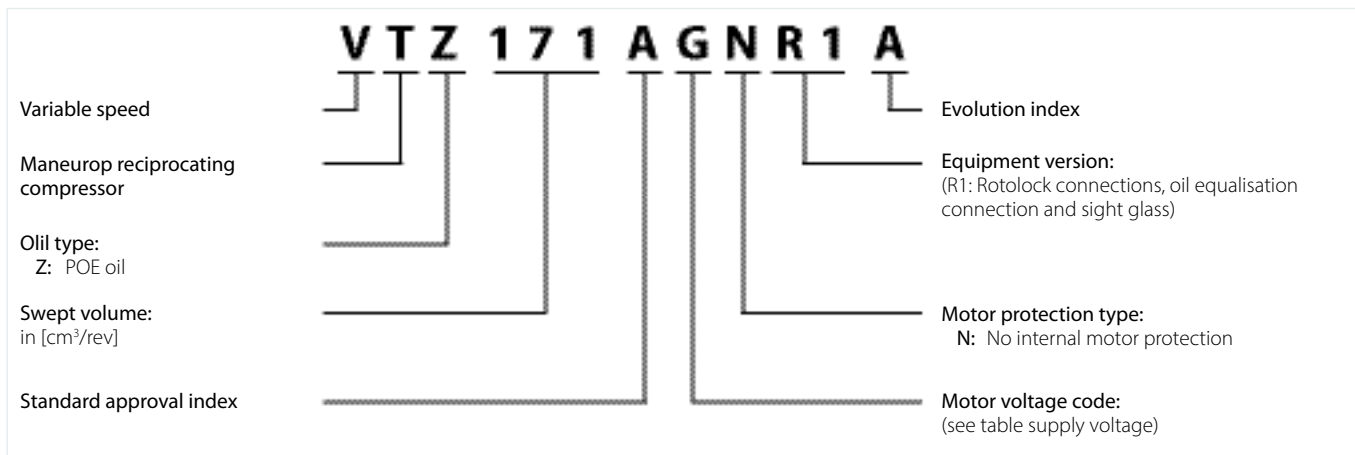
Superheat: 10 K

Voltage code: G: 380 – 480 V / 3 / 50 and 60 Hz



For more information and performance with other refrigerants, please refer to Coolselector® 2 at coolselector.danfoss.com or contact Danfoss.

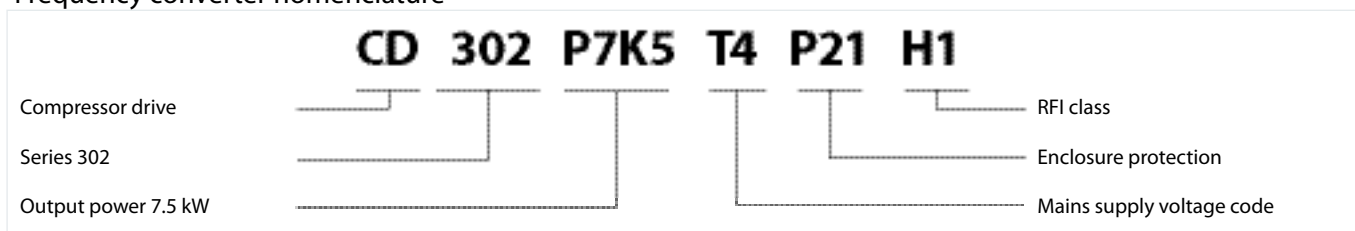
Nomenclature



Compressor specifications

Compressor Type	Swept volume [cm ³ /rev]	Displacement			Cyl. nbr	Oil charge [dm ³]	Net Weight [kg]
		Min speed [m ³ /h]	50 Hz [m ³ /h]	Max speed [m ³ /h]			
VTZ038	38.12	4.57	6.63	12.12	1	0.95	21
VTZ054	53.86	6.46	9.37	17.13	1	0.95	24
VTZ086	85.64	8.74	14.90	27.23	2	1.80	35
VTZ121	120.94	12.34	21.04	36.28	2	1.80	40
VTZ171	171.26	17.47	29.80	54.46	4	3.90	60
VTZ215	215.44	21.97	37.49	68.51	4	3.90	64

Frequency converter nomenclature

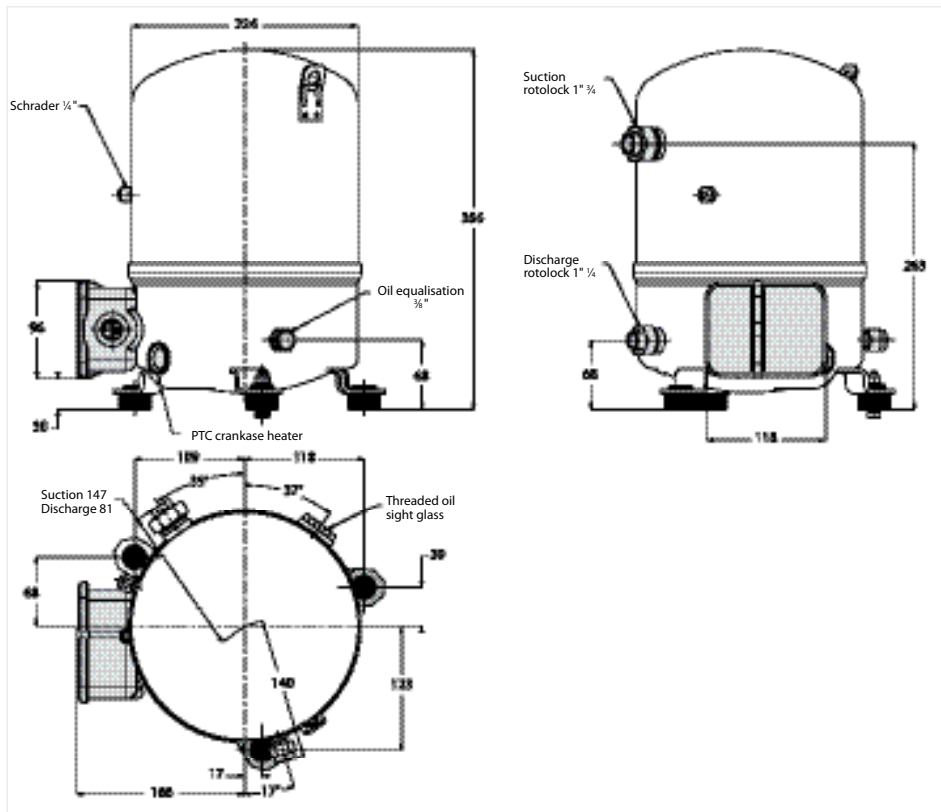


Frequency converter specifications

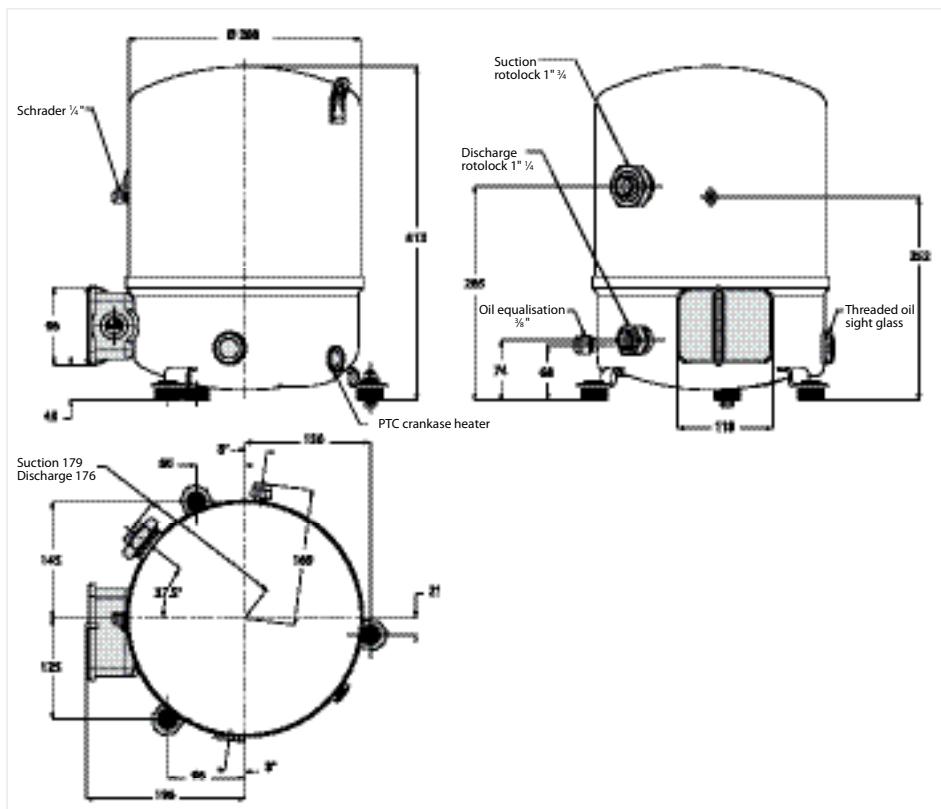
Mains supply voltage	T2: 200 – 240 V ± 10% (3-phase), T4: 380 – 480 V ± 10% (3-phase)
Supply frequency	50 / 60 Hz
Output voltage	0 – 100% of supply voltage
Inputs	6 digital (0 – 24 V), 2 analogue (-10 – 10V or 0 / 4 V -20 mA, scalable)
Programmable outputs	2 digital (0 – 24 V), 1 analogue, 2 relay
Protection functions	Over-current protection, over-modulation handling, low / high current handling
Smart Logic Control functions	Pump-down function, Anti short-cycle function, Oil return management
Communication	Modbus

Dimensions

VTZ038 / VTZ054

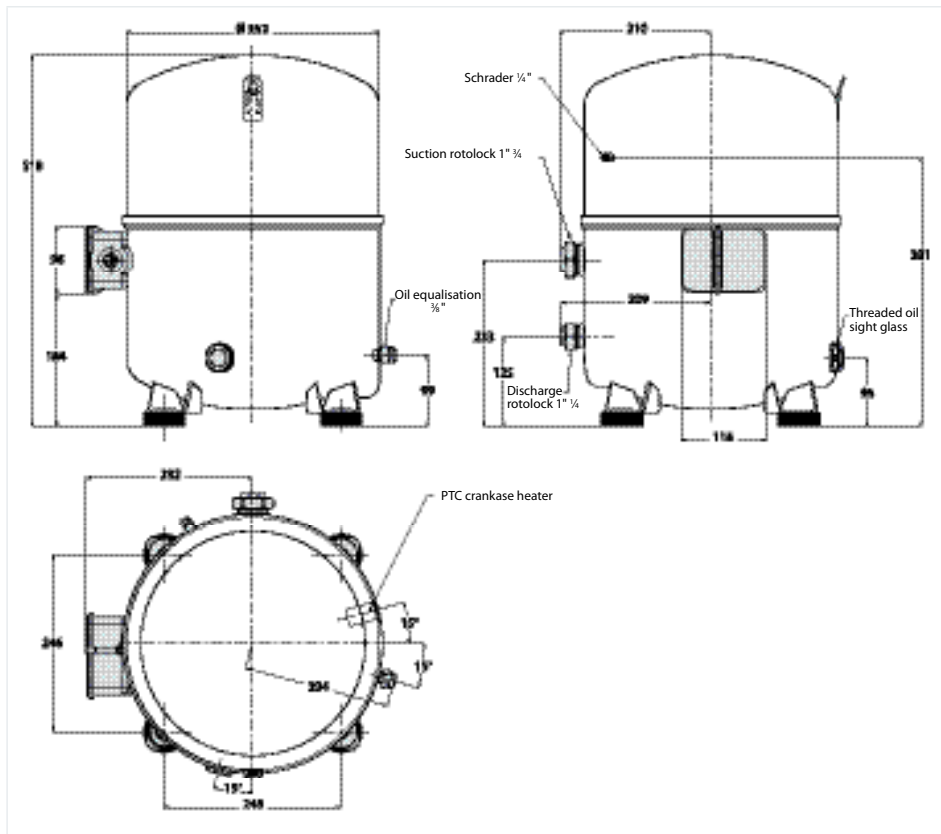


VTZ086 / VTZ121



Dimensions

VTZ171 / VTZ215



01

02

03

04

05

06

07

08

09

10

11

12

13

14

15

16

17

18

19

20

Technical data

Sight glass

VTZ compressors come equipped with a threaded oil sight glass with 1 1/8 – 18 inch UNEF connection. It can be used for visual check of oil amount and conditions, or it may be replaced by an oil management device.

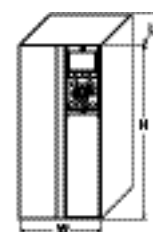
Schrader

The oil fill connection and gauge port is a 1/4 inch male flare connector incorporating a schrader valve.

Suction and discharge connections

VTZ compressors are all delivered with suction and discharge rotolock connections only.

Type	Rotolock connections size		Pipe sizing		Rotolock valve	
	Suction [in]	Discharge [in]	Suction [in]	Discharge [in]	Suction	Discharge
VTZ038 – 054	1 1/4	1	3/8	1/2	V09	V06
VTZ086 – 121	1 3/4	1 1/4	7/8	3/4	V07	V04
VTZ171 – 215	1 3/4	1 1/4	1 1/8	3/4	V02	V04



VTZ - Inverter reciprocating compressor

Frequency converter dimensions

Drive supply voltage	Drive power [kW]	Compressor voltage code	Compressor model	IP20			IP21			IP55		
				Drive enclosure	Overall dimension (H x W x L) [mm]	Weight [kg]	Drive enclosure	Overall dimension (H x W x L) [mm]	Weight [kg]	Drive enclosure	Overall dimension (H x W x L) [mm]	Weight [kg]
T2: 200 – 240 / 3 / 50 – 60	3.7	J	VTZ038	A3	268x130x205	6.6	–	–	–	–	–	–
	5.5	J	VTZ054	–	–	–	B1	494x242x260	23	B1	480x242x260	23
	7.5	J	VTZ086	–	–	–	B1	494x242x260	23	B1	480x242x260	23
	11	J	VTZ121	–	–	–	B2	664x242x260	27	B2	664x242x260	27
T4: 380 – 480 / 3 / 50 – 60	4	G	VTZ038	A2	268x90x205	4.9	–	–	–	A5	420x242x200	13.5
	5.5	G	VTZ054	A3	268x130x205	6.6	–	–	–	A5	420x242x200	13.5
	7.5	G	VTZ086	A3	268x130x205	6.6	–	–	–	A5	420x242x200	13.5
	11	G	VTZ121	B3	399x165x248	12	B1	494x242x260	23	B1	480x242x260	23
	15	G	VTZ171	B3	399x165x248	12	B1	494x242x260	23	B1	480x242x260	23
	18.5	G	VTZ215	B4	518x231x242	23	B2	664x242x260	27	B2	650x242x260	27

Frequency converter dimensions depend on supply voltage, IP rating and power

The below table gives an overview of the overall dimensions and different drive enclosures (B1 - C3)
Details for each drive enclosure are on the following pages