

Tech Master GPS420 Series

4.5 Purity Single Stage Brass Barstock Piston Cylinder Regulators

The Tech Master GPS420 series regulators are intended for primary pressure gas control of non-corrosive or toxic, technical grade gases up to grade 4.5 purity (99.995%), on applications where slight pressure variation from decreasing cylinder pressure is acceptable.



- **GPS421 Series** – Single Stage Piston Cylinder Regulator, FKM Seal
- **GPS422 Series** – Single Stage Piston Cylinder Regulator, EPDM Seal

FEATURES

- Five port configuration
- Front and rear panel mounting capabilities
- Encapsulated seat design
- Low wetted surface area
- Full range of inlet and outlet fittings
- Base and side entry

MATERIALS

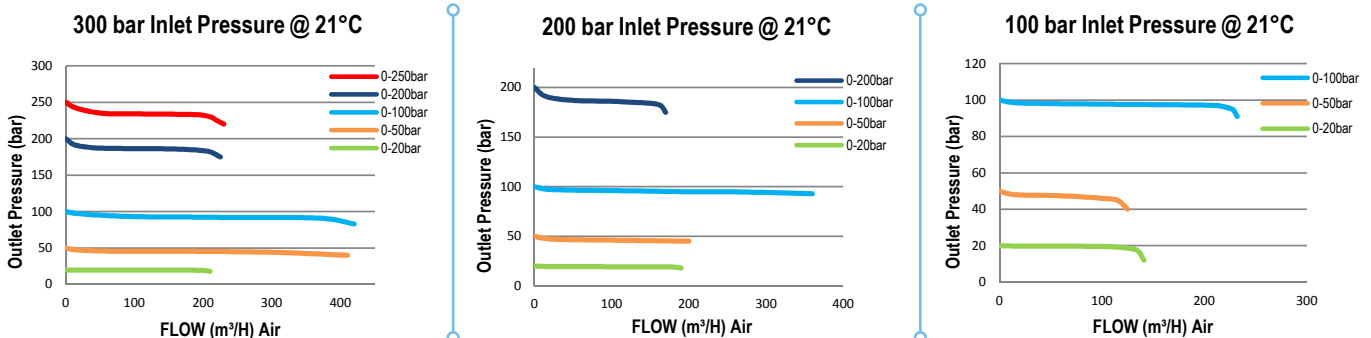
Body	Brass Barstock
Bonnet	Brass Barstock
Piston	Brass
Seal	FKM / EPDM
Seat	Nylon
Filter	10 Micron 316L Stainless Steel

SPECIFICATION

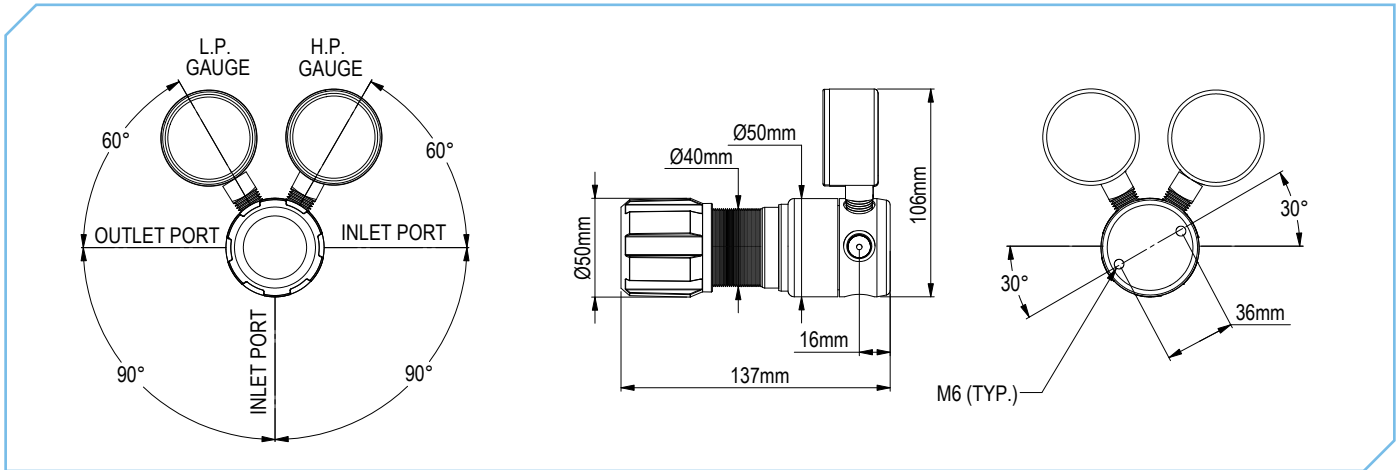
Maximum Inlet Pressure	60 bar (870 PSI) / 300 bar (4350 PSI)*
Delivery Pressure Range	0-20 bar (300 PSI) / 50 bar (725 PSI) / 100 bar (1450 PSI) / 200 bar (2900 PSI) / 250 bar (3630 PSI)
Gauges	50mm (2") Diameter
Ports	1/4" NPT Female
Temperature Range	-20° C to +60° C (-4° F to +140° F)
Flow Coefficient	Cv = 0.088
Weight	1.5 kg (3.3 lb)**

* Subject to cylinder connection. ** Cylinder connection not included.

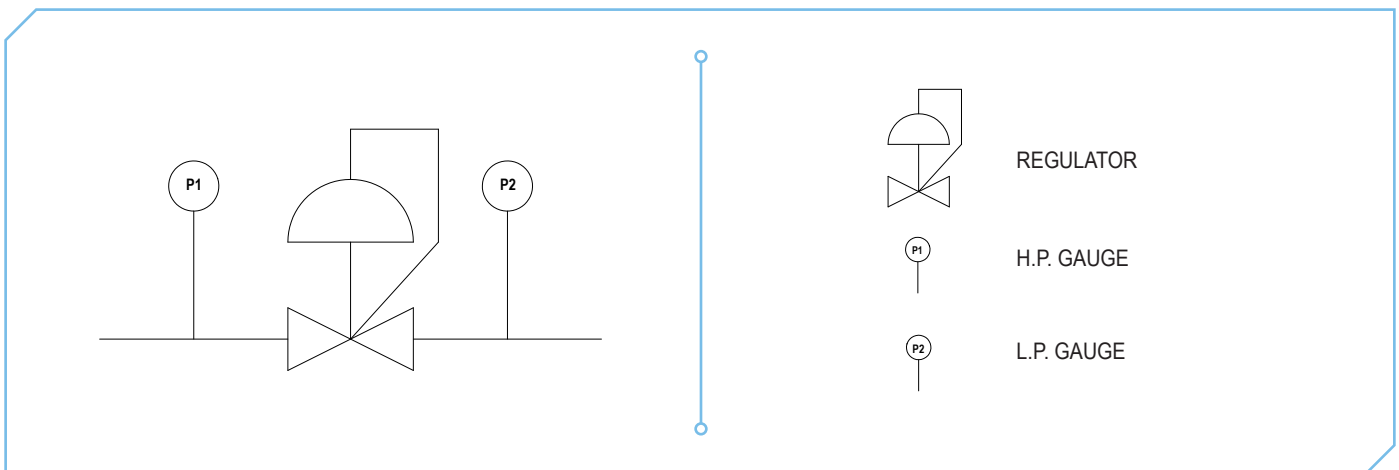
FLOW PERFORMANCE



DIMENSIONS



PROCESS & INSTRUMENTATION



MODEL NO. SELECTOR GUIDE

PRODUCT TYPE	INLET PRESSURE	OUTLET PRESSURE	INLET PRESSURE GAUGE	OUTLET PRESSURE GAUGE	INLET / CYLINDER CONNECTION	OUTLET CONNECTION	OPTIONS
GPS421	02 60 bar / 870 PSI	07 0-20 bar / 300 PSI	00 No Gauge	00 No Gauge	000 No Inlet Fitted	00 No Outlet Fitted	A No Options Selected
GPS422	04 300 bar / 4350 PSI	10 0-50 bar / 725 PSI	01 bar/PSI	01 bar/PSI	001 1/8 Stainless Steel Compression	01 1/8 Stainless Steel Compression	K Certificate of Conformity
		11 0-100 bar / 1450 PSI			002 1/4 Stainless Steel Compression	02 1/4 Stainless Steel Compression	L Panel Mount Locking Nut Kit
		12 0-200 bar / 2900 PSI			003 6mm Stainless Steel Compression	03 6mm Stainless Steel Compression	P Calibration / Pressure Test Certificate
		13 0-250 bar / 3630 PSI			004 1/4 NPT Male	04 1/4 NPT Male	X Special Instruction
					007 G3/8 BSP R/H Brass Male	05 1/4 SAE Flare Brass Male	
					008 G3/8 BSP L/H Brass Male	06 1/2 BSP R/H Brass Male	
					009 BS341 No. 3 (Base Entry)	07 G3/8 BSP R/H Brass Male	
					010 BS341 No. 3	08 G3/8 BSP L/H Brass Male	
					011 BS341 No. 4 (Base Entry)	09 Isolation Valve, 1/4 NPT Female, FKM Seal	
					012 BS341 No. 4	10 Isolation Valve, 1/4 NPT Female, EPDM Seal	
					015 BS341 No. 8	11 Isolation Valve, 1/8 Stainless Steel Compression, FKM Seal	
					030 DIN477 No. 6	12 Isolation Valve, 1/8 Stainless Steel Compression, EPDM Seal	
					033 DIN477 No. 9	13 Isolation Valve, 1/4 Stainless Steel Compression, FKM Seal	
			034 DIN477 No. 10	14 Isolation Valve, 1/4 Stainless Steel Compression, EPDM Seal			
			045 CGA320	15 Isolation Valve, 6mm Stainless Steel Compression, FKM Seal			
			052 CGA540	16 Isolation Valve, 6mm Stainless Steel Compression, EPDM Seal			
			053 CGA580	17 Isolation Valve, 1/4 NPT Male, FKM Seal			
			<small>For our complete range of cylinder connections refer to 'Cylinder Connections Data'</small>	18 Isolation Valve, 1/4 NPT Male, EPDM seal			
				19 Isolation Valve, G3/8 BSP R/H Brass Male, FKM Seal			
				20 Isolation Valve, G3/8 BSP R/H Brass Male, EPDM Seal			
				21 Isolation Valve, G3/8 BSP L/H Brass Male, FKM Seal			
				22 Isolation Valve, G3/8 BSP L/H Brass Male, EPDM Seal			